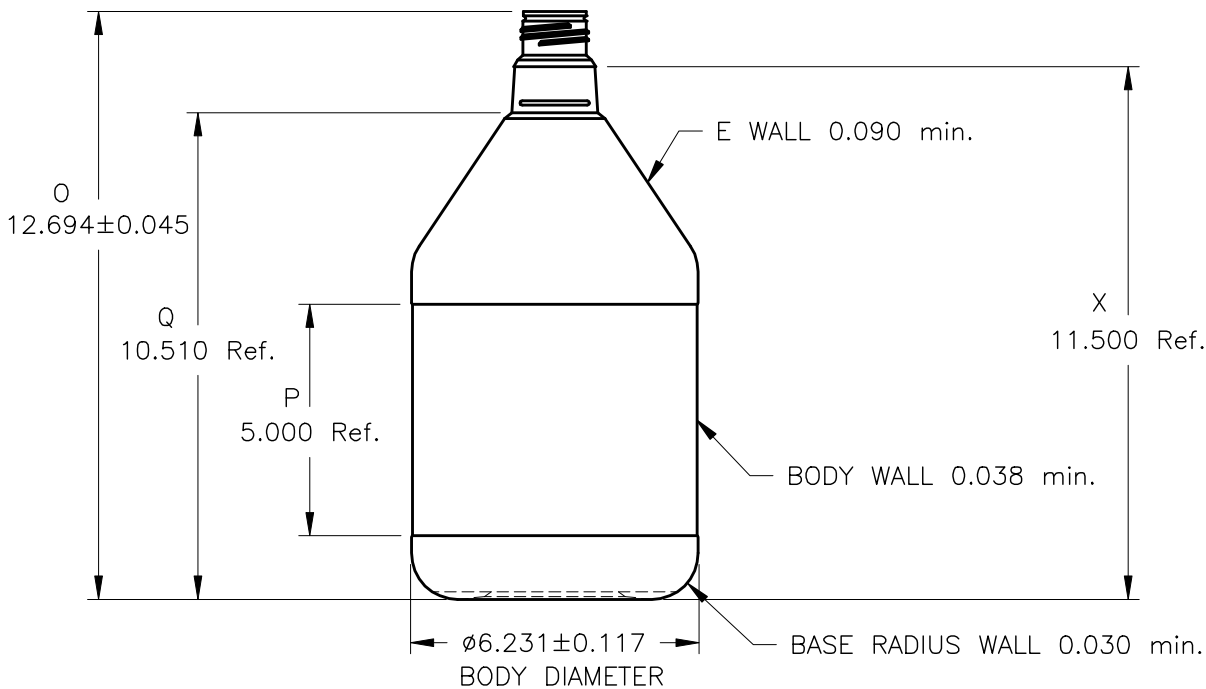
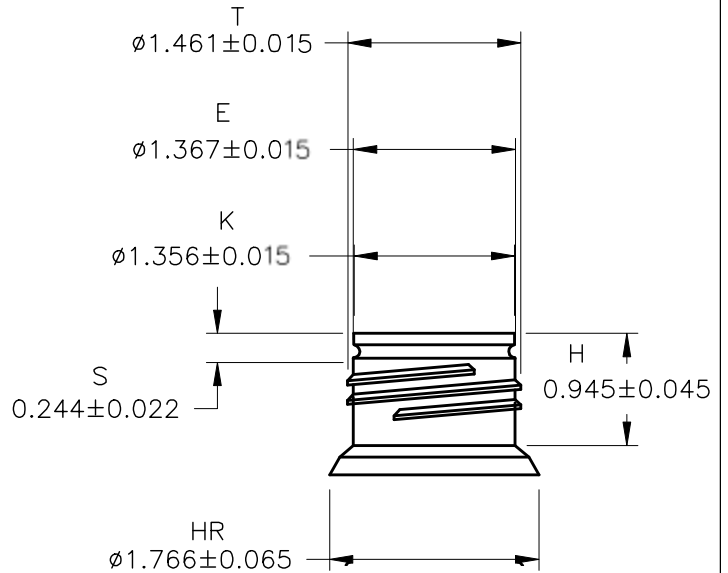
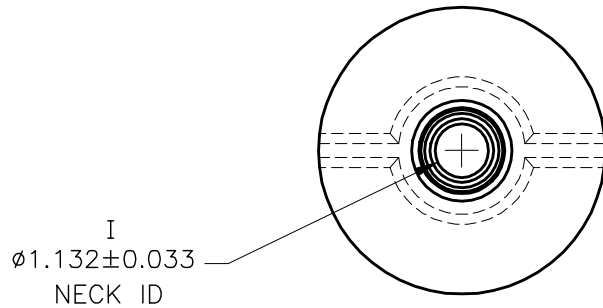


REV	DATE	DESCRIPTION
A	5/17/2017	CHANGED TOLERANCES: T FROM 0.041", E FROM 0.056" AND K FROM 0.033".



NOTES:

1. CONTAINER WEIGHT: 190 GRAMS \pm 5 GRAMS
2. MATERIAL: EQUISTAR LR 7340, NATURAL
3. OVERFLOW CAPACITY: 4.409 L
4. LAND FLATNESS 0.015 max.
5. TAIL SCAR 0.075 min.

THIS DRAWING AND THE INFORMATION CONTAINED THERE IN IS THE SOLE PROPERTY OF PUREPAK TECH. ANY REPRODUCTION IN PART OR WHOLE WITHOUT THE WRITTEN PERMISSION OF PUREPAK TECH. IS PROHIBITED.	REVISION	PurePak Technology Corporation 324 South Bracken Lane, Suite 3, Chandler, AZ 85224		
	REV. _____			ALL DIMENSIONS IN INCHES UNLESS OTHERWISE SPECIFIED: DECIMALS: X.XX \pm .010 ANGLES: X.X \pm .500' X.XXX \pm .005 X.XXXX \pm .002
	DATE: _____	DESCRIPTION: 9 PINT BETA BOTTLE 38-439 NECK FINISH		
APPRD. _____	APPRD. _____	SCALE: 1:4	DRAWN BY: MSR	DATE: 9/5/07
SHEET 1 OF 1				