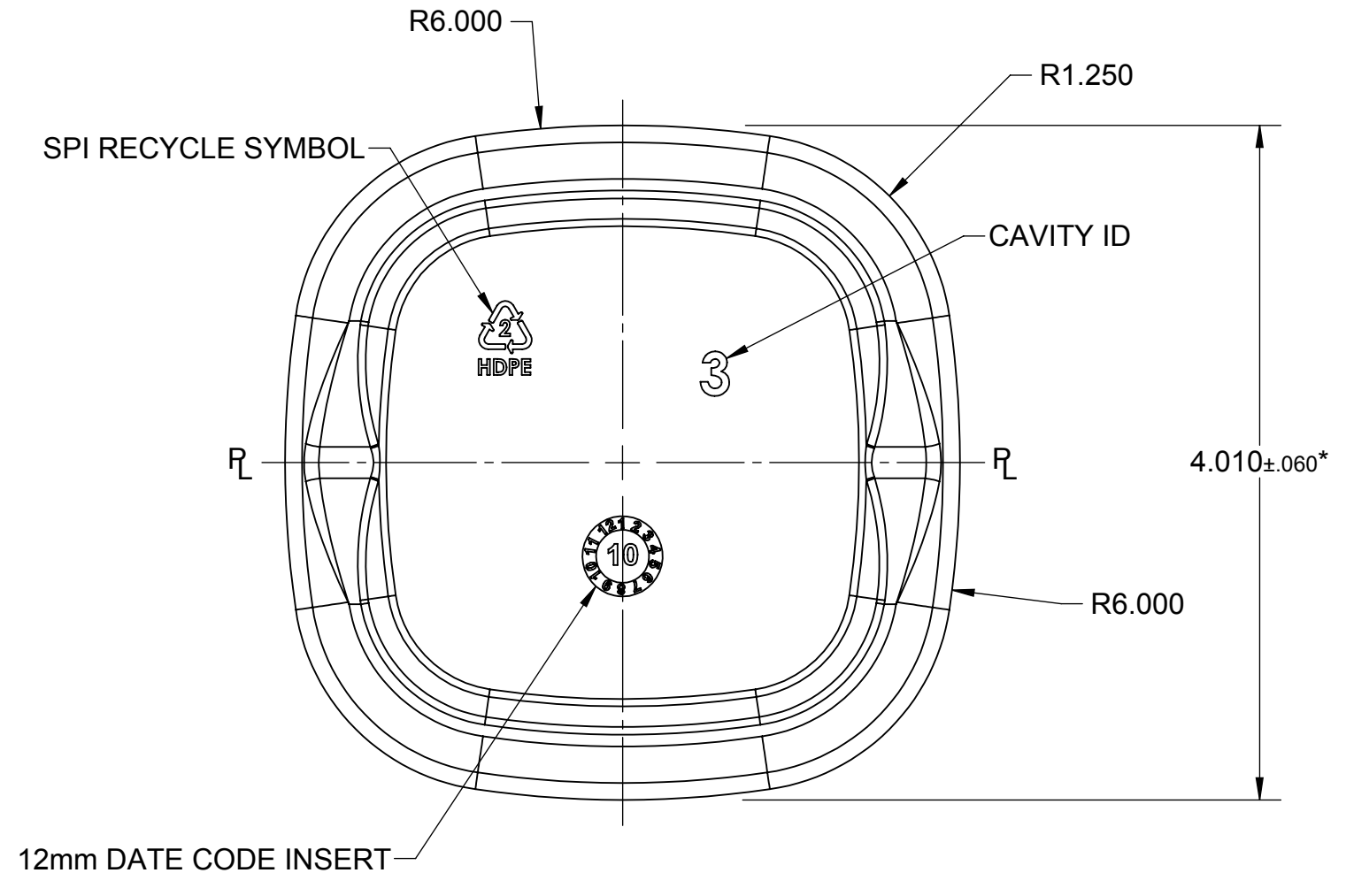
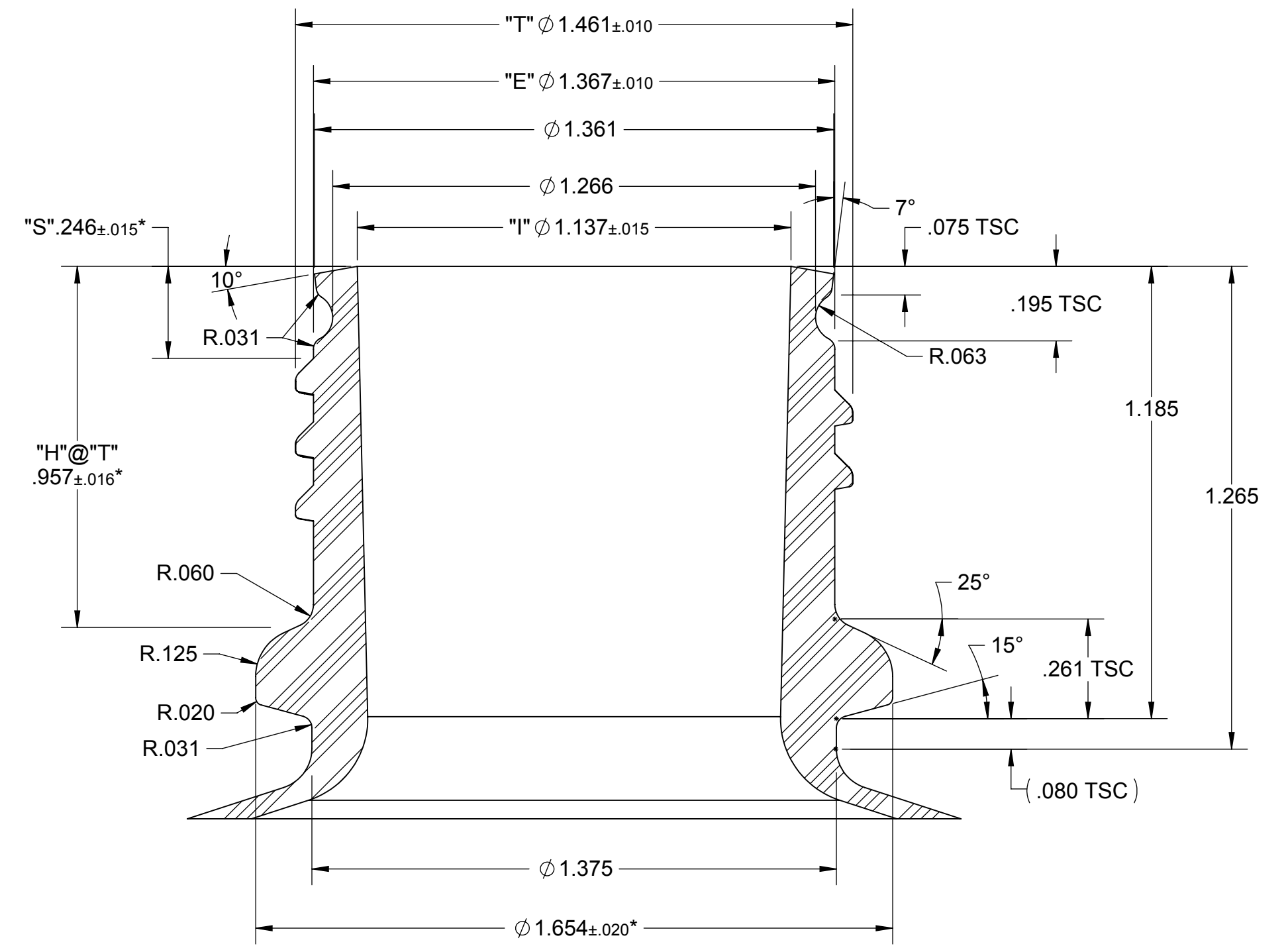
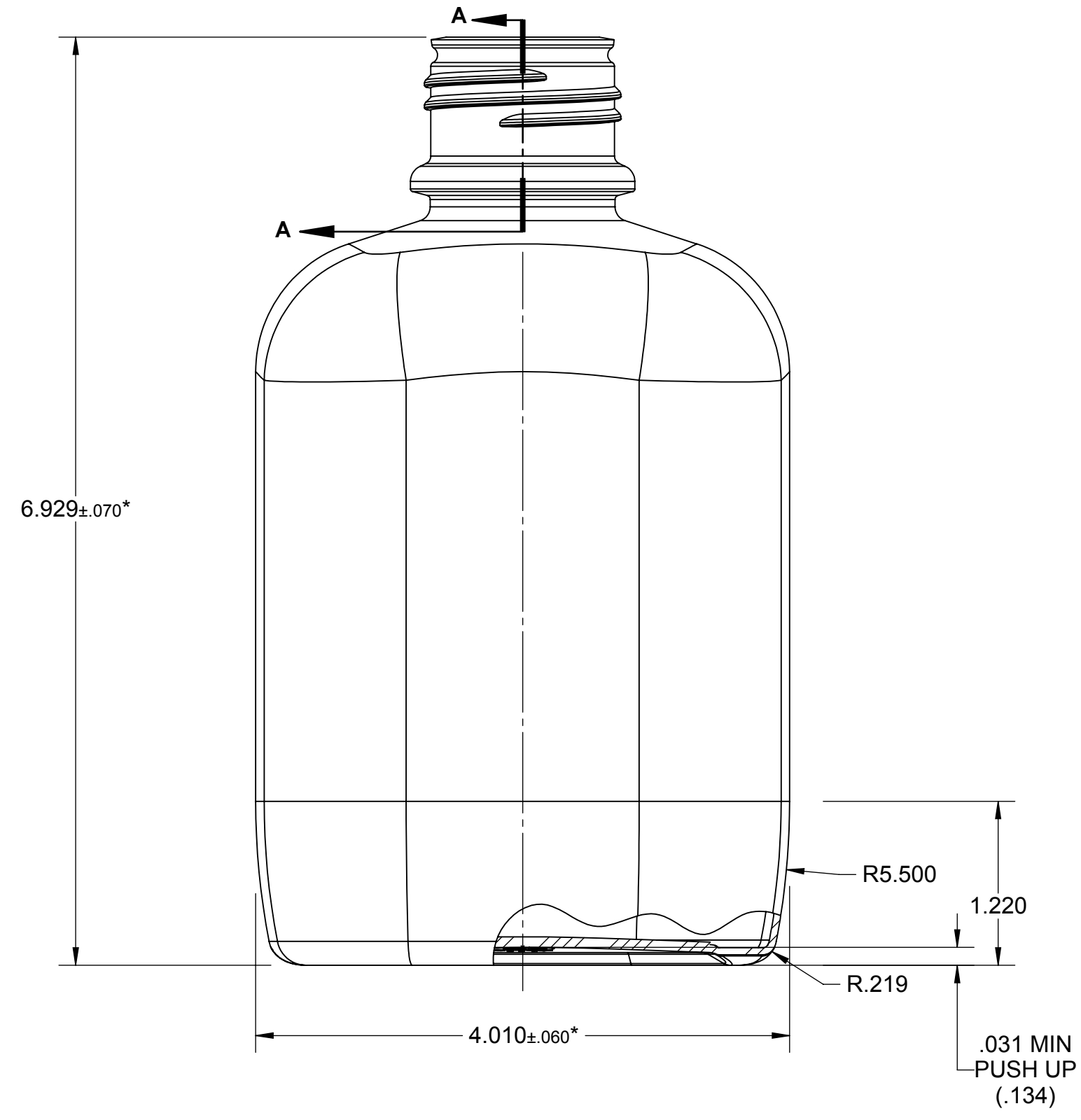


LET	REVISION DESCRIPTION	BY	ECN #	DATE
A	DEVELOPMENT STAGE	FAB	61555248	3/31/2015
B	UPDATED "I" DIAMETER	FAB	61555248-1	4/7/2015



- NOTES:
1. INTERPRET DRAWING TO ASME Y14.5M - 1994
  2. DO NOT SCALE DRAWING
  3. ALL NECK FINISH DIAMETERS ARE THE AVERAGE OF THE TWO MEASUREMENTS TAKEN ACROSS THE MAJOR AND MINOR AXIS. LIMITS OF OVALITY ARE: .024"
  4. THREAD SPEC = SINGLE LEAD, 6 TPI, 2 REVOLUTIONS
  5. DIMENSIONS MARKED (\*) ARE Q1 RESULTS.
  6. **MOLD # 9002**

PART DATA	
MATERIAL	<b>HDPE</b>
ESTIMATED WEIGHT	85g ± 4.25g
OVERFLOW CAPACITY	1.101cc ± 30cc*
NECK FINISH	38mm CUSTOM

TOLERANCE UNLESS SPECIFIED		<div style="display: flex; justify-content: space-around;"> <span>(.XXX)</span> <span>(.XXX)</span> </div> <div style="display: flex; justify-content: space-around;"> <span>REFERENCE DIMENSIONS</span> <span>INSPECTION DIMENSIONS</span> </div>	
THIS DRAWING IS NOT A CONTROLLED DOCUMENT IF PRINTED OR COPIED FROM THE APPROVED LOCATION			
<b>CONFIDENTIAL</b>			
THIS UNPUBLISHED WORK IS THE PROPERTY OF BERRY PLASTICS CORPORATION AND IS PROTECTED BY TRADE SECRET, COPYRIGHT AND OTHER INTELLECTUAL PROPERTY LAWS AND MAY ALSO BE SUBJECT TO A SPECIFIC OR GENERAL CONFIDENTIALITY AGREEMENT. IT IS NOT TO BE VIEWED BY UNAUTHORIZED PERSONS OR DUPLICATED IN ANY MEDIUM FOR PURPOSES OTHER THAN THOSE FOR WHICH IT IS SPECIFICALLY FURNISHED. IN THE EVENT OF PUBLICATION, THE FOLLOWING NOTICE SHALL APPLY			
xxx +/- .031		JDE TOOL NUMBER: <b>ZB38SQ1H</b>	DRAWING TYPE: <b>CUSTOMER</b>
xx +/- .063		DESCRIPTION: <b>1 LITER SQUARE</b>	
x +/- .094	101 OAKLEY STREET EVANSVILLE, INDIANA 47706 TEL. (812) 424-2904	DRAWING NO.: CP-150233-PRT01	PROJECT NUMBER: 1400597
Fractional +/- 1/8"		LAST MODIFIED BY AND DATE: bsharp - 4/7/2015 10:07:27 AM	
Angles +/- 1/2°	CREATED BY: F. BOND	CREATION DATE: 03/31/15	DRAWING REVISION: B SHEET: 1 of 1 SCALE: 1:1 SHEET SIZE: C