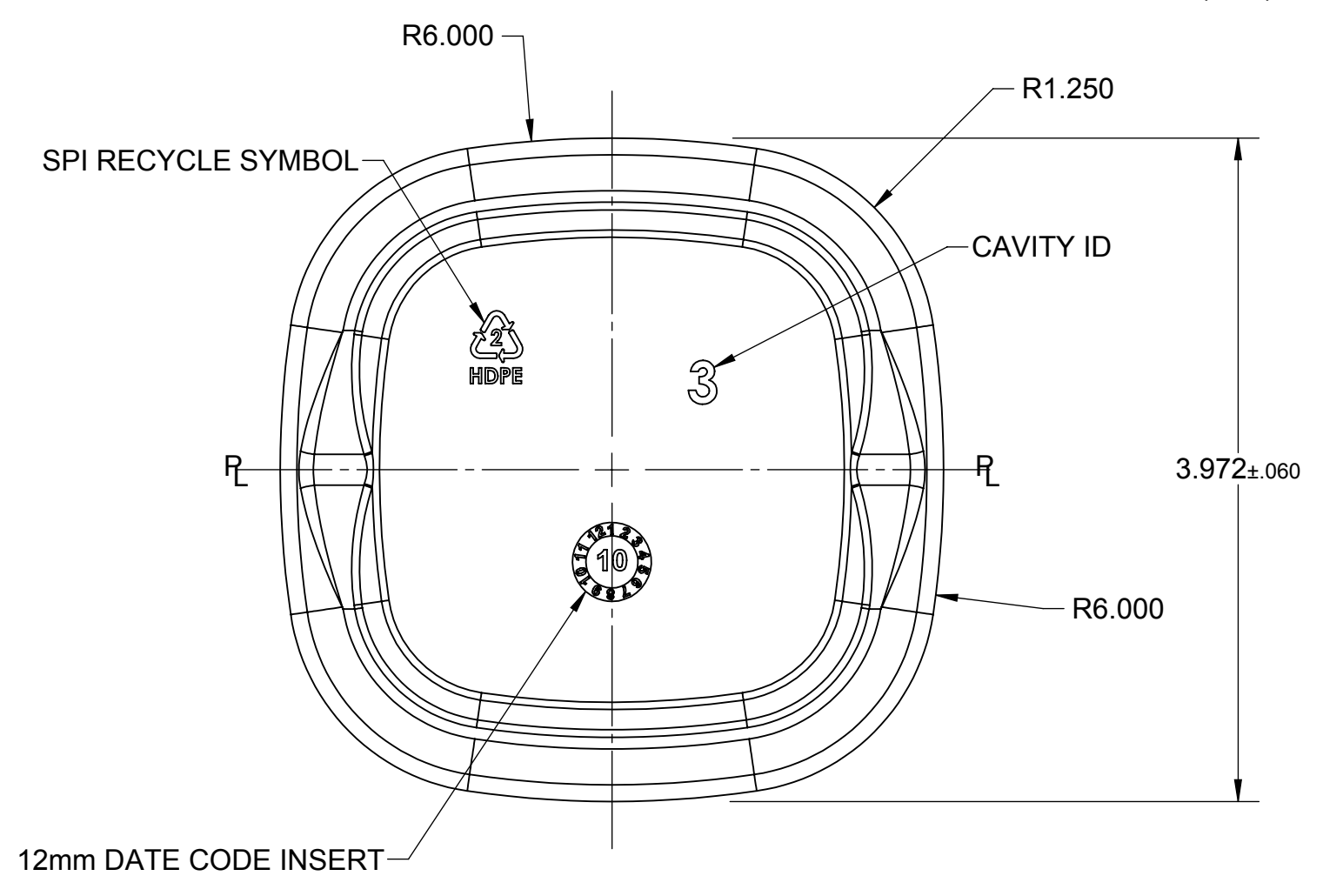
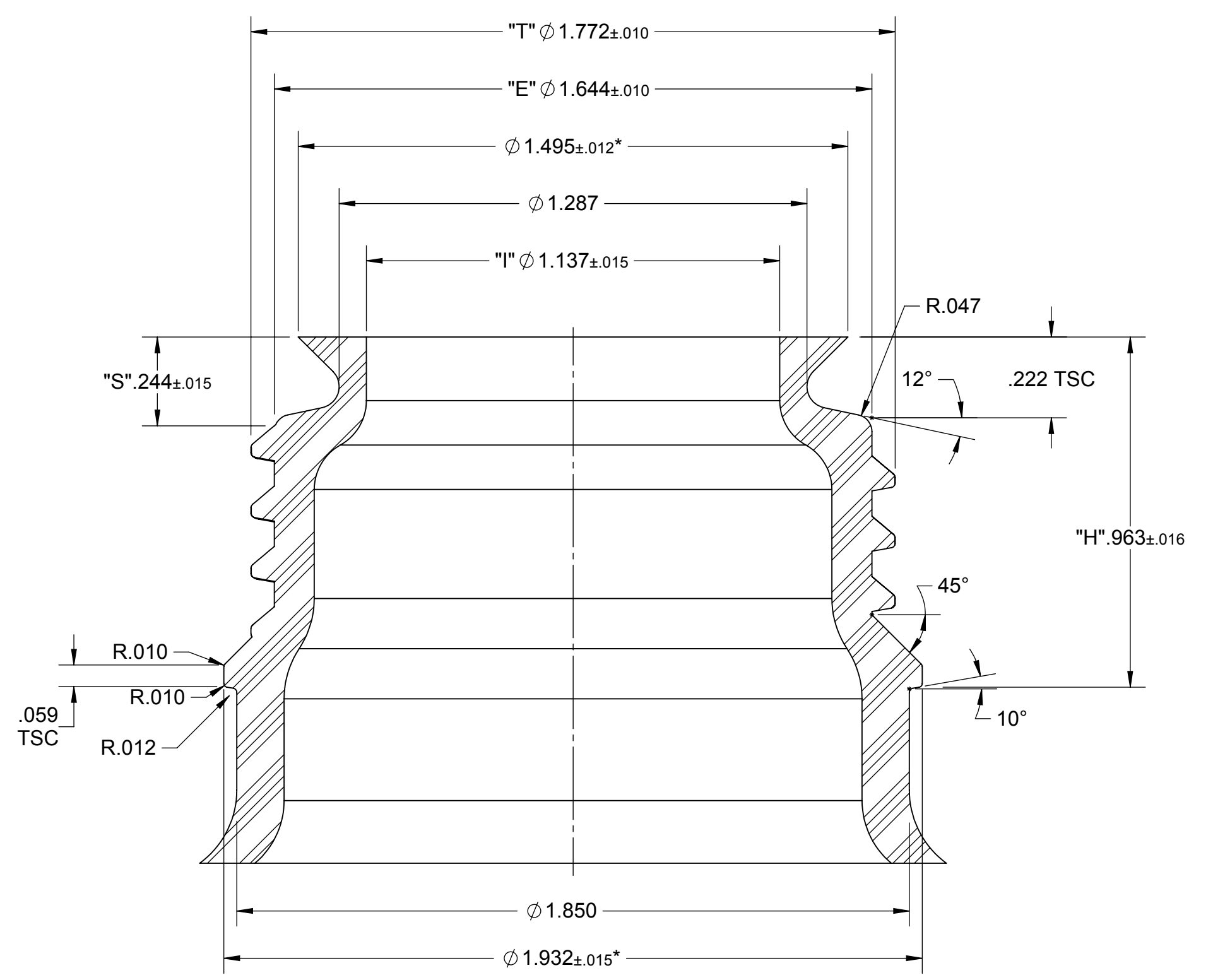
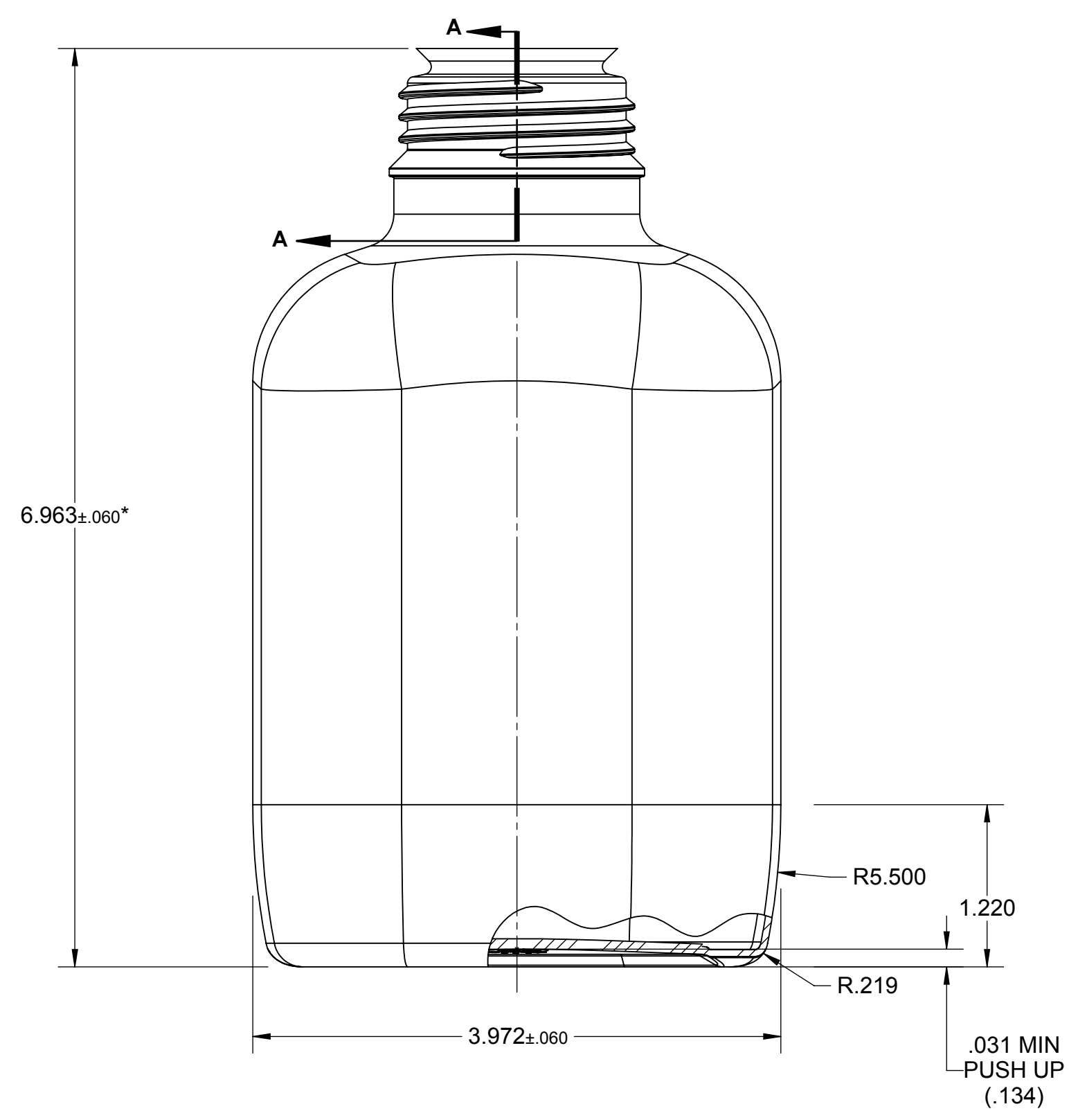


LET	REVISION DESCRIPTION	BY	ECN #	DATE
A	DEVELOPMENT STAGE	FAB	50082749	3/31/2015
B	UPDATED "I" DIAMETER	FAB	50082749-1	4/7/2015



SECTION A-A
SCALE 3:1

- NOTES:
1. INTERPRET DRAWING TO ASME Y14.5M - 1994
 2. DO NOT SCALE DRAWING
 3. ALL NECK FINISH DIAMETERS ARE THE AVERAGE OF THE TWO MEASUREMENTS TAKEN ACROSS THE MAJOR AND MINOR AXIS. LIMITS OF OVALITY ARE .024"
 4. THREAD SPEC = SINGLE LEAD, 6 TPI, 3 REVOLUTIONS
 5. DIMENSIONS MARKED (*) ARE Q1 RESULTS.
 8. MOLD # 9003

PART DATA	
MATERIAL	HDPE
ESTIMATED WEIGHT	85g ±4.25g
OVERFLOW CAPACITY	1.116.7cc ±20cc*
NECK FINISH	45mm CUSTOM

THIS DRAWING IS NOT A CONTROLLED DOCUMENT IF PRINTED OR COPIED FROM THE APPROVED LOCATION

TOLERANCE UNLESS SPECIFIED	xxx +/- .031	<p>101 OAKLEY STREET EVANSVILLE, INDIANA 47706 TEL. (812) 424-2904</p>	<p>CONFIDENTIAL</p> <p>THIS UNPUBLISHED WORK IS THE PROPERTY OF BERRY PLASTICS CORPORATION AND IS PROTECTED BY TRADE SECRET, COPYRIGHT AND OTHER INTELLECTUAL PROPERTY LAWS AND MAY ALSO BE SUBJECT TO A SPECIFIC OR GENERAL CONFIDENTIALITY AGREEMENT. IT IS NOT TO BE VIEWED BY UNAUTHORIZED PERSONS OR DUPLICATED IN ANY MEDIUM FOR PURPOSES OTHER THAN THOSE FOR WHICH IT IS SPECIFICALLY FURNISHED. IN THE EVENT OF PUBLICATION, THE FOLLOWING NOTICE SHALL APPLY</p>		
	xx +/- .063		JDE TOOL NUMBER: ZB45SQ1H	DRAWING TYPE: CUSTOMER	
	x +/- .094		DESCRIPTION: 1 LITER SQUARE		
	Fractional +/- 1/8"		DRAWING NO: CP-150234-PRT01	PROJECT NUMBER: 1400597	
Angles +/- 1/2°	LAST MODIFIED BY AND DATE: bsharp - 4/7/2015 10:05:50 AM	CREATED BY: F. BOND	CREATION DATE: 03/31/15	DRAWING REVISION: SHEET B 1 of 1	SCALE: SHEET SIZE 1:1 C