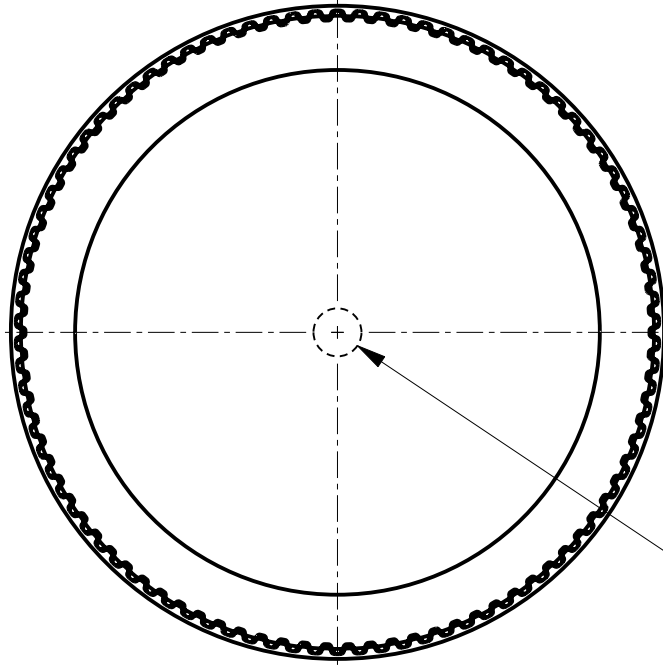
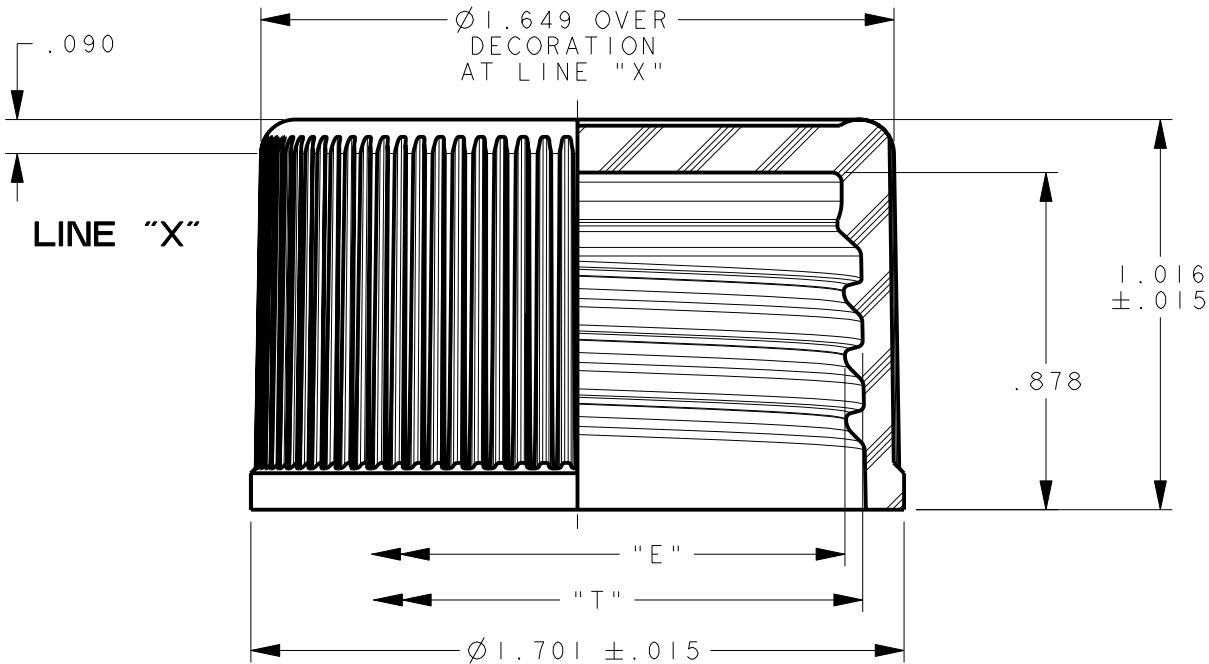


2

1



$\phi .125^{+.000}_{-.015}$   
OPTIONAL VENT HOLE



UNSCREWING LUG IMPRESSIONS TO APPEAR IN BOTTOM SKIRT OF THE CLOSURE

"REFERENCE PRODUCT CENTER FOR CURRENT DRAWING"

DIMENSIONS ARE REPRESENTATIVE ONLY. FINAL SIZES TO BE DETERMINED AFTER PART IS MANUFACTURED.

[F#] = FUNCTIONAL DIMENSION



MATERIAL  
POLYPRO

TOLERANCES UNLESS SPECIFIED  
DEC.  $\pm .010$  DEGREES  $\pm 1^\circ$

GRAM WEIGHT 10.3 REF. ONLY CI#

LINE "C" IS .367 DOWN FROM INSIDE TOP.

"T" at "C" 1.481  $\pm .007$

"E" at "C" 1.389  $\pm .007$

TITLE **CUSTOMER DRAWING**

**38-439 A STOCK  
ACID CLOSURE**

Mold No.

PROD. **MJ-410-1A**

SAMPLE

SCALE 2:1

DRAWN E. F. HAFFNER

FOR STOCK

DATE 9/25/2000 CHECKED

NOTICE: THIS UNPUBLISHED WORK IS THE PROPERTY OF BERRY PLASTICS CORPORATION AND IS PROTECTED BY TRADE SECRET, COPYRIGHT AND OTHER INTELLECTUAL PROPERTY LAWS AND MAY ALSO BE SUBJECT TO A SPECIFIC OR GENERAL CONFIDENTIALITY AGREEMENT. IT IS NOT TO BE VIEWED BY UNAUTHORIZED PERSONS OR DUPLICATED IN ANY MEDIUM FOR PURPOSES OTHER THAN THOSE FOR WHICH IT IS SPECIFICALLY FURNISHED. IN THE EVENT OF PUBLICATION, THE FOLLOWING NOTICE SHALL APPLY

DRAWING NUMBER

**QIM-317-4937**

REVISION

**A**