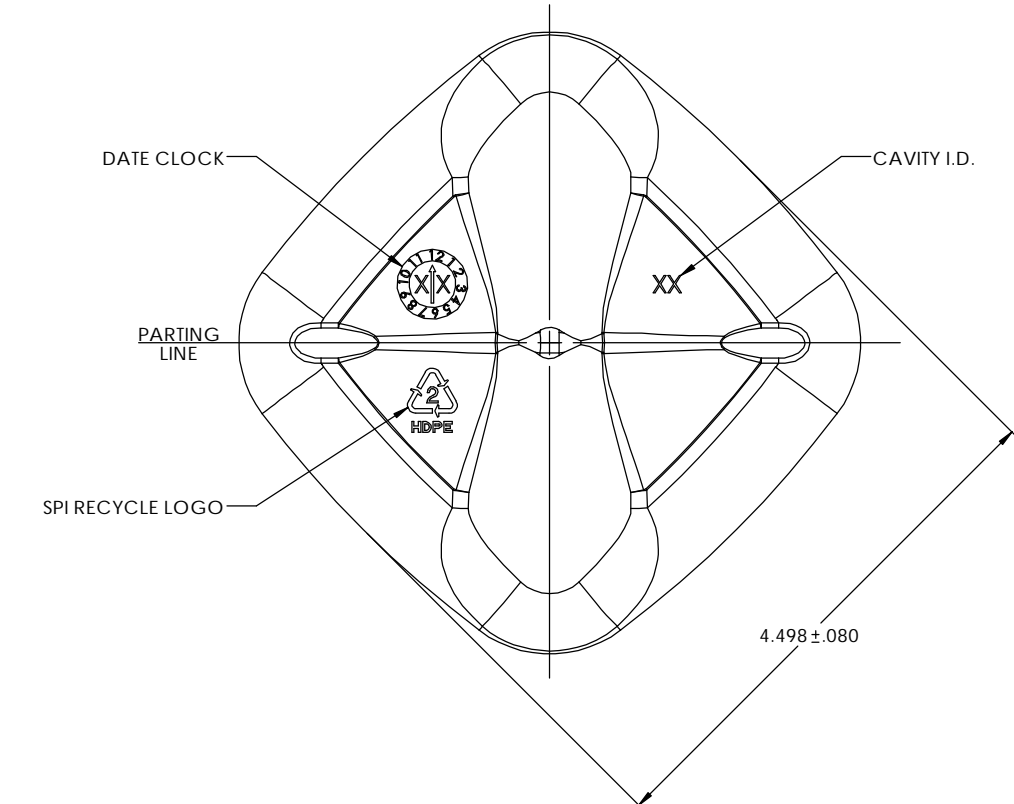
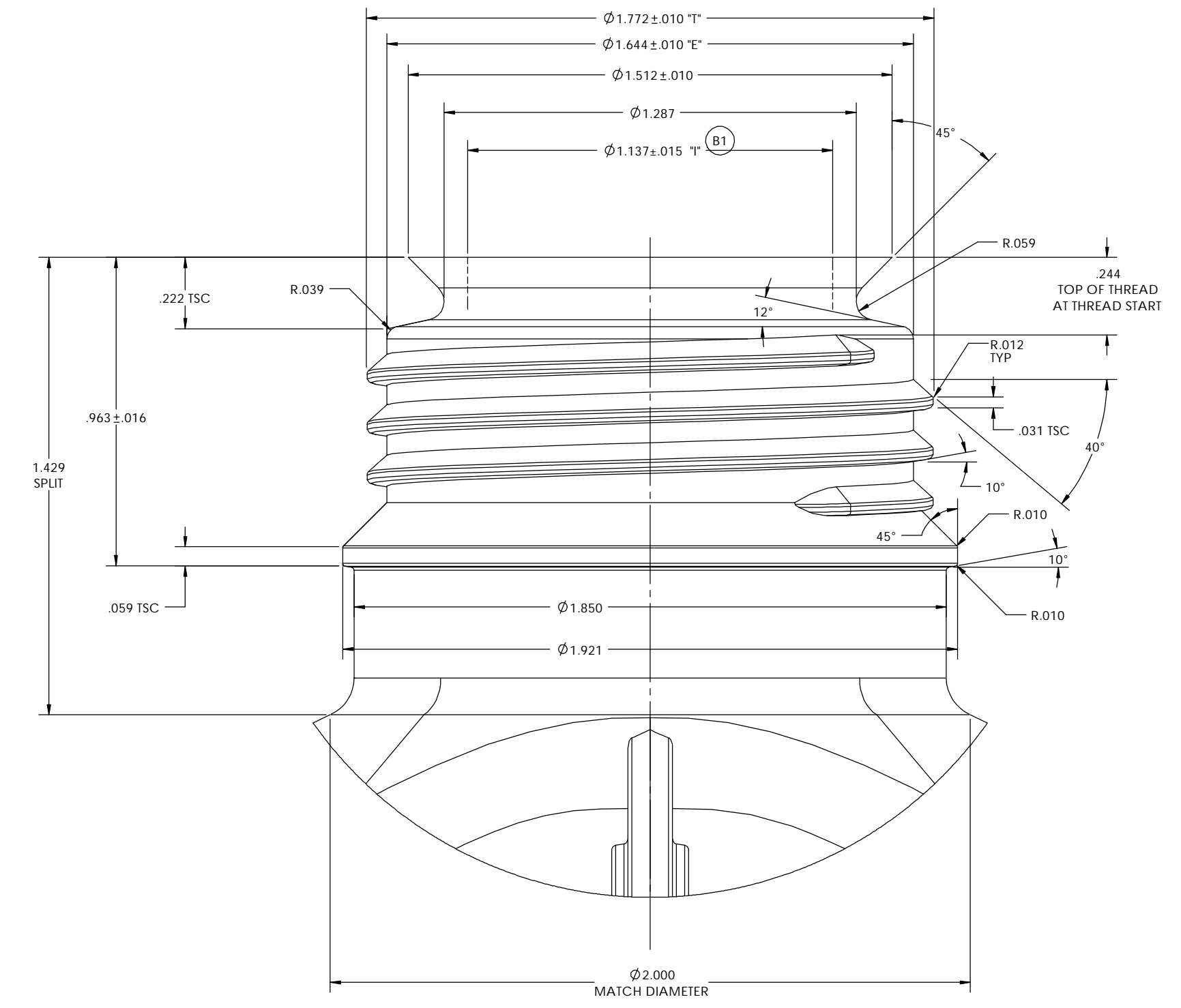
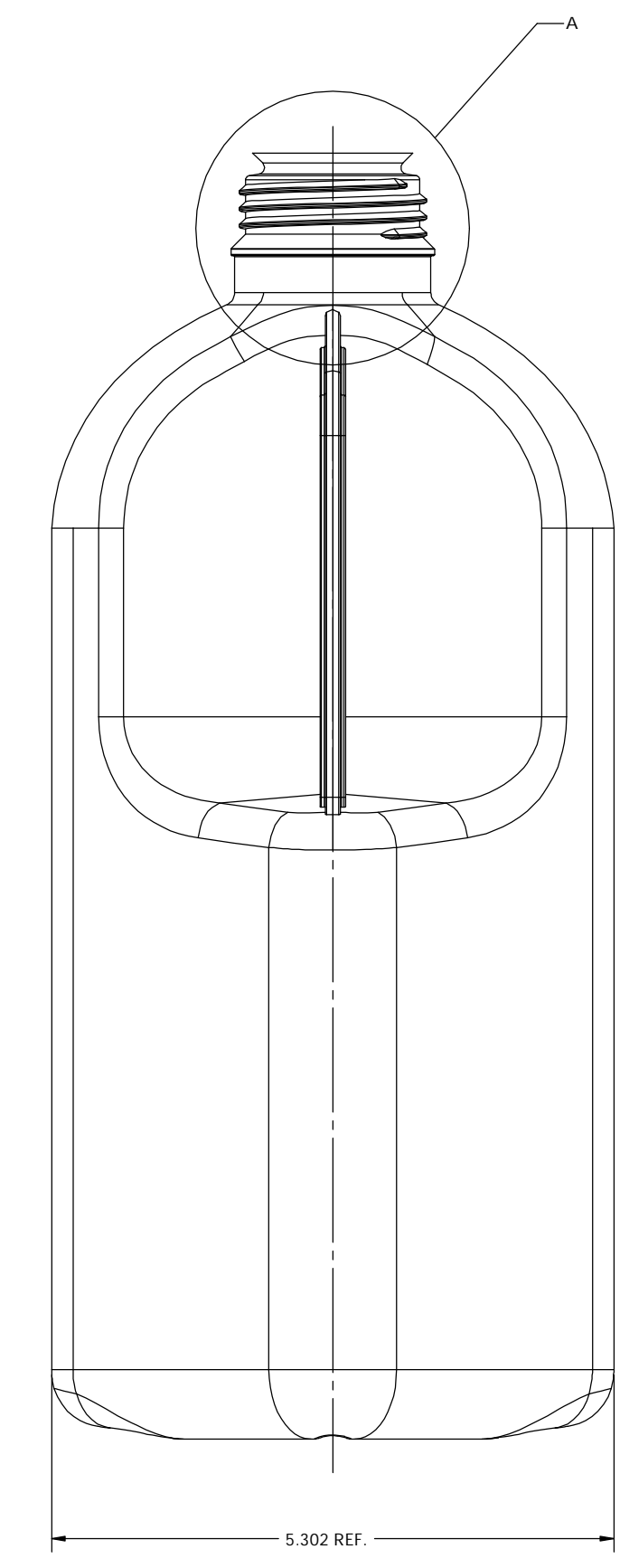
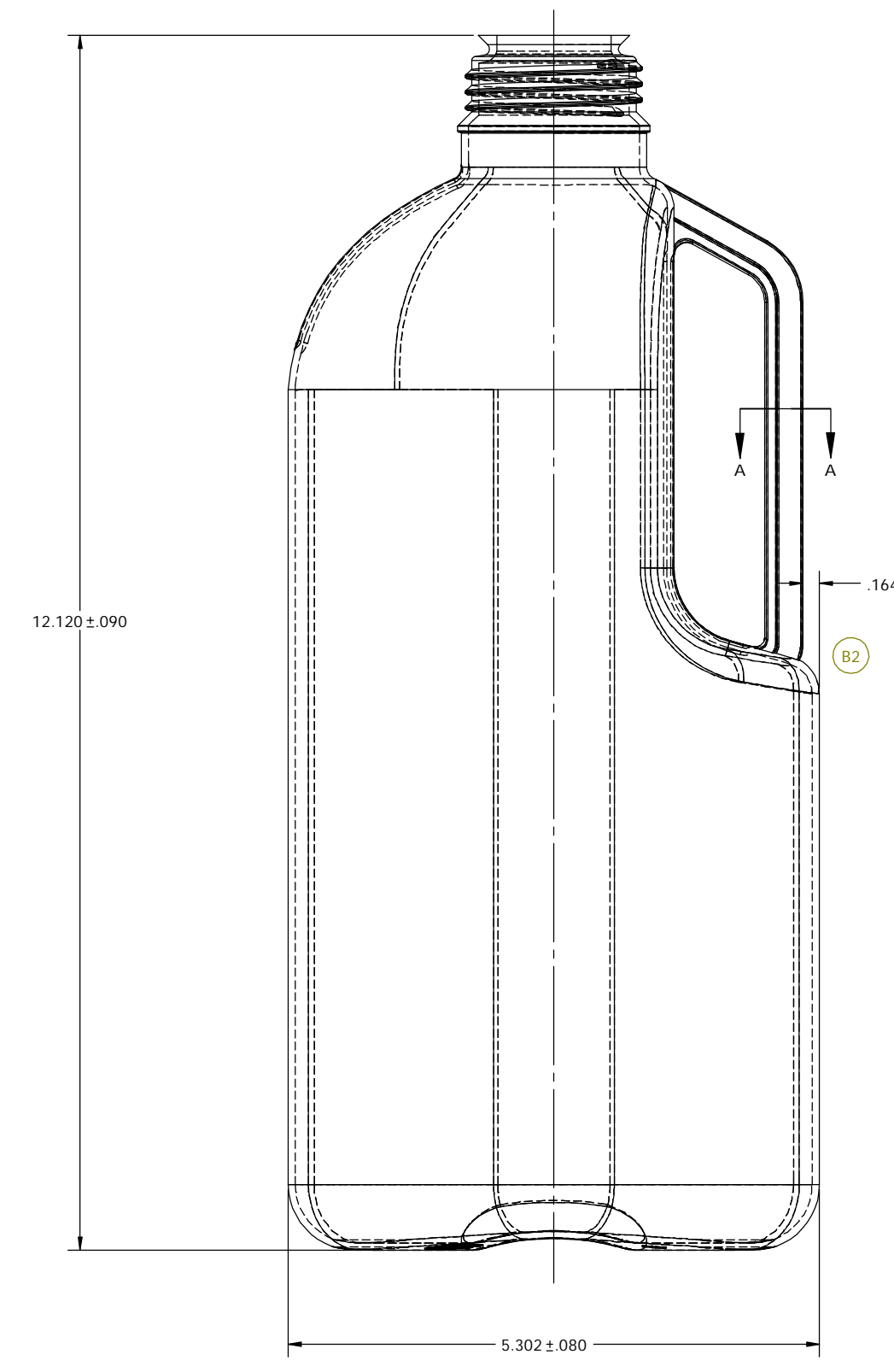
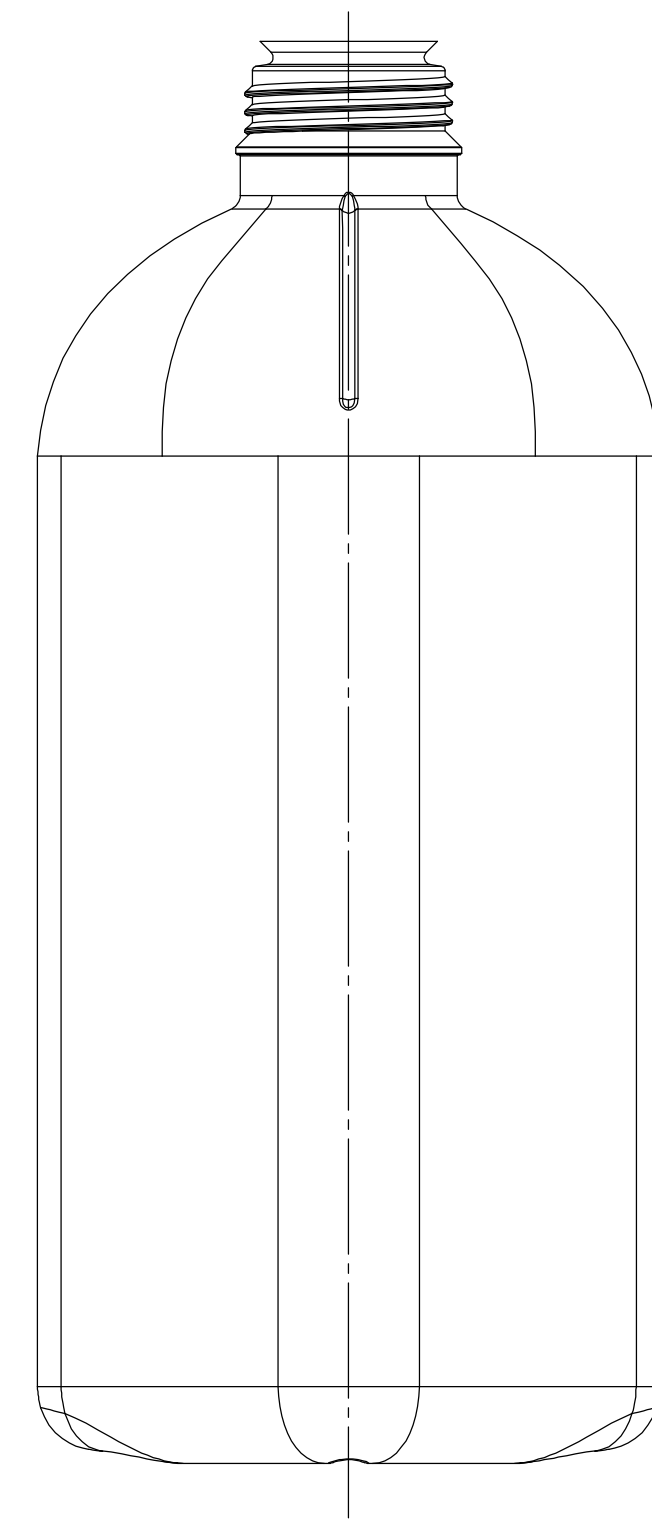
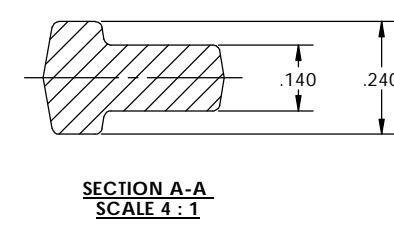
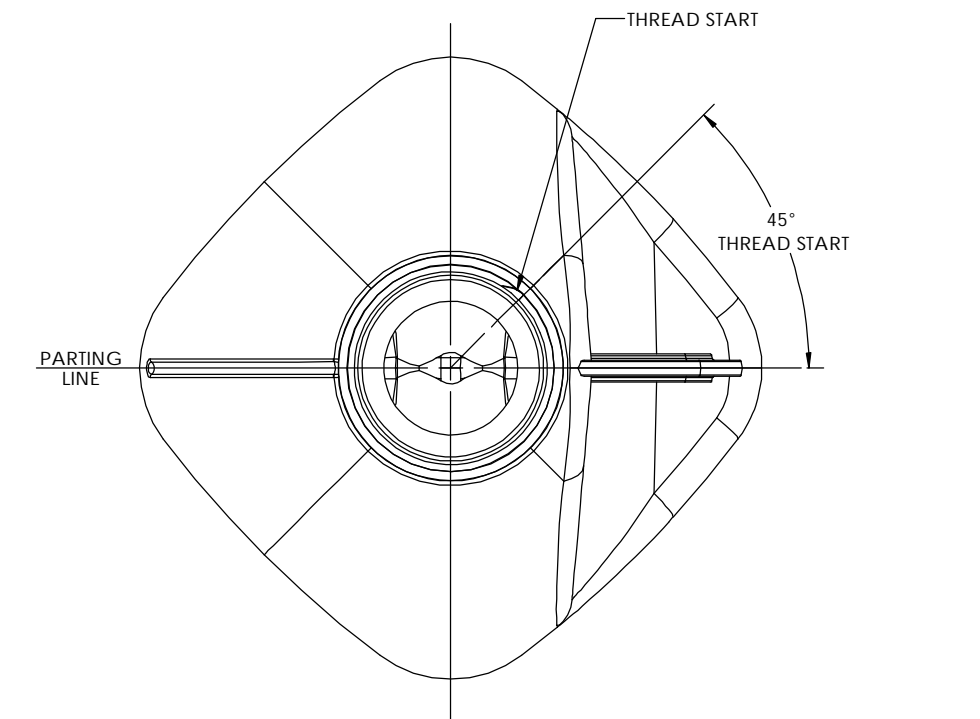


LET	REVISION DESCRIPTION	BY	ECN #	DATE
A	ORIGINAL RELEASE	D.A.	05586340	04/11/2012
B	1)WAS Ø1.643 MIN. 2)ADDED RADII	D.A.	05586340-Rev1	05/11/2012
C	1)ADDED BASE ENGRAVING + DATE CLOCK	D.A.	05586340-Rev2	06/13/2012

- NOTES:
1. INTERPRET DRAWING TO ASME Y14.5M - 1994
 2. DO NOT SCALE DRAWING
 3. ALL NECK FINISH DIAMETER DIMENSIONS ARE THE AVERAGE OF TWO MEASUREMENTS TAKEN ACROSS THE MAJOR AND MINOR AXIS. THE LIMITS OF OVALITY ARE (.036).
 4. THREAD SPEC = SINGLE LEAD, 4 MM (.1575") PITCH, 3 REVOLUTIONS.
 5. MIN. WALL THICKNESS IN PANEL = .038
 6. MIN. HEEL = .032
 7. MIN. TAIL SCAR = .075
 8. TOP FLATNESS ON SEALING SURFACE MAX. = .015



NOTE:
 THE 2D & 3D GEOMETRY ASSOCIATED WITH THIS DRAWING ARE ONLY A REPRESENTATION OF THE CUSTOMER'S DRAWING AND MOLDS - WHICH HAVE BEEN DIGITIZED TO MAKE NEW MOLDS. IN NO WAY SHOULD THE 3D FILE ASSOCIATED WITH THIS DRAWING EVER BE SENT TO A MOLD VENDOR TO CUT STEEL, AS IT MAY DIFFER FROM THE ACTUAL EXISTING MOLD GEOMETRY.

MOLD #XXXX

TOLERANCE UNLESS SPECIFIED	DATE
xxx +/- .031	04/11/12
xx +/- .063	04/11/12
x +/- .084	04/11/12
Fractional +/- .187	04/11/12
Angles +/- .12°	04/11/12

PART DATA	
MATERIAL	PPCO RESIN - NATURAL
ESTIMATED WEIGHT	208.0gr ±8.0gr
OVERFLOW CAPACITY	2614.0ml ±30.0ml
NECK FINISH	45mm Special Neck

CUSTOMER	
PRODUCT NAME	2.6L (45mm Neck) Industrial Square Handiware - PurePak
FILE NAME	CP-120327-PR101
DATE	04/11/12
DESIGNED BY	Don Ankeny
DATE	04/11/12
SHEET	1 of 1
SCALE	B.2
DATE	04/11/12
BY	D.A.

THIS IS A PRELIMINARY PRODUCT DRAWING. SPECIFICATIONS ARE SUBJECT TO CHANGE.

CONFIDENTIAL

NO DIMENSIONS OR GEOMETRY OF THIS DRAWING OR ANY PART THEREOF SHALL BE REPRODUCED OR TRANSMITTED IN ANY FORM OR BY ANY MEANS, ELECTRONIC OR MECHANICAL, INCLUDING PHOTOCOPYING, RECORDING, OR BY ANY INFORMATION STORAGE AND RETRIEVAL SYSTEM, WITHOUT THE WRITTEN PERMISSION OF THE ORIGINAL AUTHOR. THIS DRAWING IS THE PROPERTY OF THE ORIGINAL AUTHOR AND IS NOT TO BE REPRODUCED OR TRANSMITTED IN ANY FORM OR BY ANY MEANS, ELECTRONIC OR MECHANICAL, INCLUDING PHOTOCOPYING, RECORDING, OR BY ANY INFORMATION STORAGE AND RETRIEVAL SYSTEM, WITHOUT THE WRITTEN PERMISSION OF THE ORIGINAL AUTHOR.