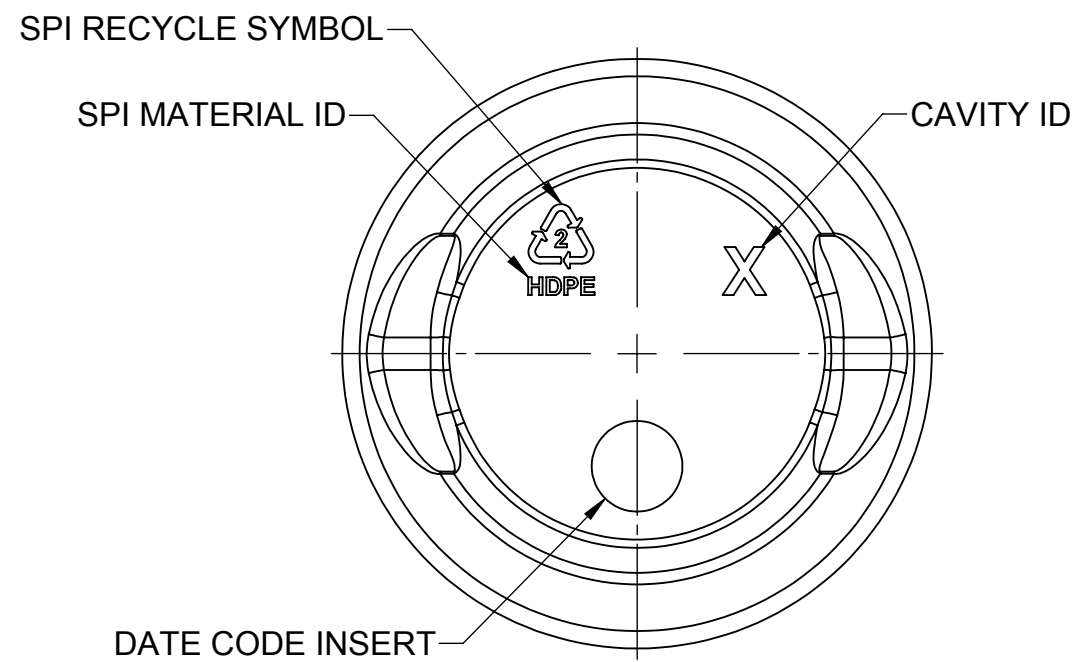
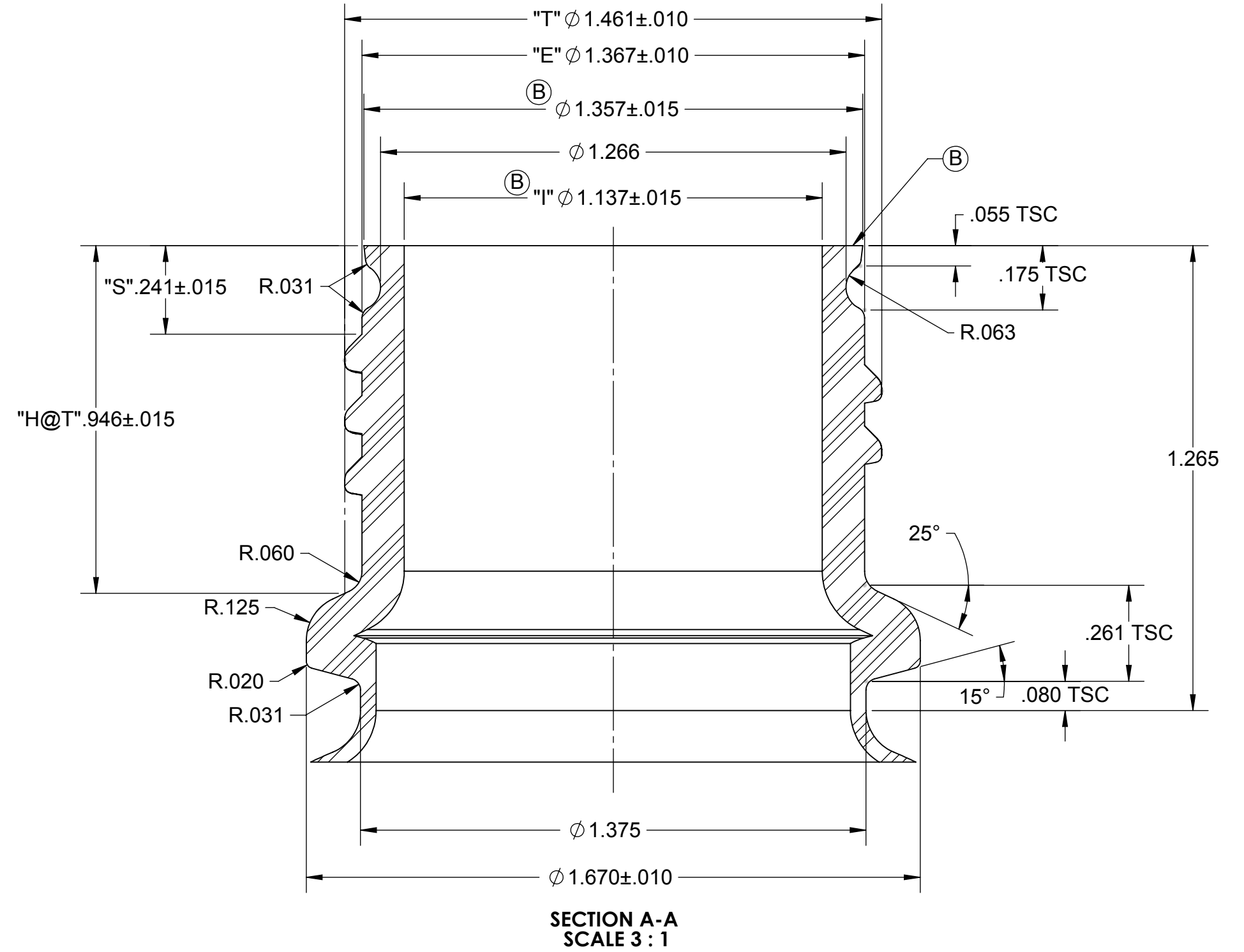
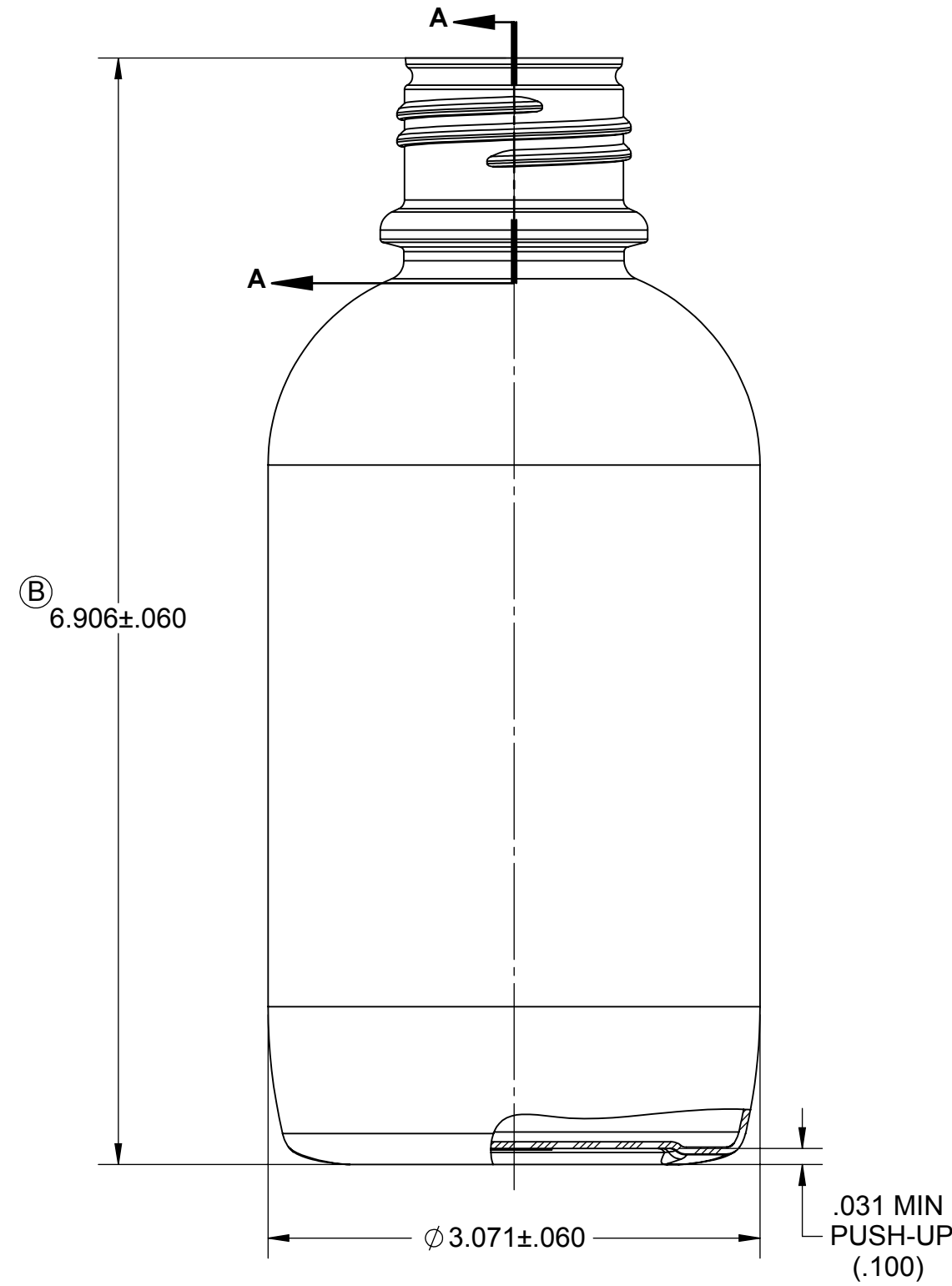


NOTES:

- DO NOT SCALE DRAWING
- ALL NECK FINISH DIAMETER DIMENSIONS ARE THE AVERAGE OF TWO MEASUREMENTS TAKEN ACROSS THE MAJOR AND MINOR AXES. THE LIMITS OF OF OVALITY ARE (.024)
- THREAD SPECS = SINGLE LEAD, 6T.P.I. (.1667) PITCH, 2 REVOLUTIONS OF FULL THREAD DEPTH

LET	REVISION DESCRIPTION	BY	ECN #	DATE
A	ORIGINAL RELEASE	KRM	81129944	4/19/2012
B	6.906±.060 WAS 6.985±.060, "I" Ø 1.137±.015 WAS "I" Ø 1.110 MIN (Ø 1.137), ADDED ±.015 TO Ø 1.357, 607.3cc WAS 614.5cc, REMOVED .020 STEP, R.020 & Ø 1.337	KRM	81129944-1	5/10/2012



NOTE:
THE 2D & 3D GEOMETRY ASSOCIATED WITH THIS DRAWING ARE ONLY A REPRESENTATION OF THE CUSTOMER'S DRAWINGS AND MOLDS - WHICH HAVE BEEN DIGITIZED TO MAKE NEW MOLDS.

IN NO WAY SHOULD THE 3D FILE ASSOCIATED WITH THIS DRAWING EVER BE SENT TO A MOLD VENDOR TO CUT STEEL, AS IT MAY DIFFER FROM THE ACTUAL EXISTING MOLD GEOMETRY.

PART DATA	
MATERIAL	HDPE
ESTIMATED WEIGHT	50.0g ± 2.0g
OVERFLOW CAPACITY	607.3cc ± 13.0cc
NECK FINISH	38mm SPECIAL

← .XXX → BASIC DIMENSIONS	← (.XXX) → REFERENCE DIMENSIONS	← .XXX → INSPECTION DIMENSIONS
------------------------------	------------------------------------	-----------------------------------

THIS DRAWING IS NOT A CONTROLLED DOCUMENT IF PRINTED OR COPIED FROM THE APPROVED VAULTING LOCATION

THIS IS A PRELIMINARY PRODUCT DRAWING, SPECIFICATIONS ARE SUBJECT TO CHANGE.

TOLERANCE UNLESS SPECIFIED	 PLASTICS CORPORATION AND SUBSIDIARIES LEADERSHIP BY DESIGN 101 OAKLEY STREET EVANSVILLE, INDIANA 47706 TEL. (812) 424-2904	CONFIDENTIAL			
xxx +/- .031		PRODUCT NAME: X	DRAWING TYPE: CUSTOMER		
xx +/- .063		DESCRIPTION: 500mL (38mm NECK) PUREPAK			
x +/- .094		DRAWING NO: CP-120366-PRT01	PROJECT #: 120366		
Fractional +/- 1/8"		CREATED BY: K. MCWILLIAMS	CREATION DATE: 04/18/12		
Angles +/- 1/2°		SHEET: 1 of 1	DRAWING VERSION: B.2	SCALE: 1:1	SHEET SIZE: C