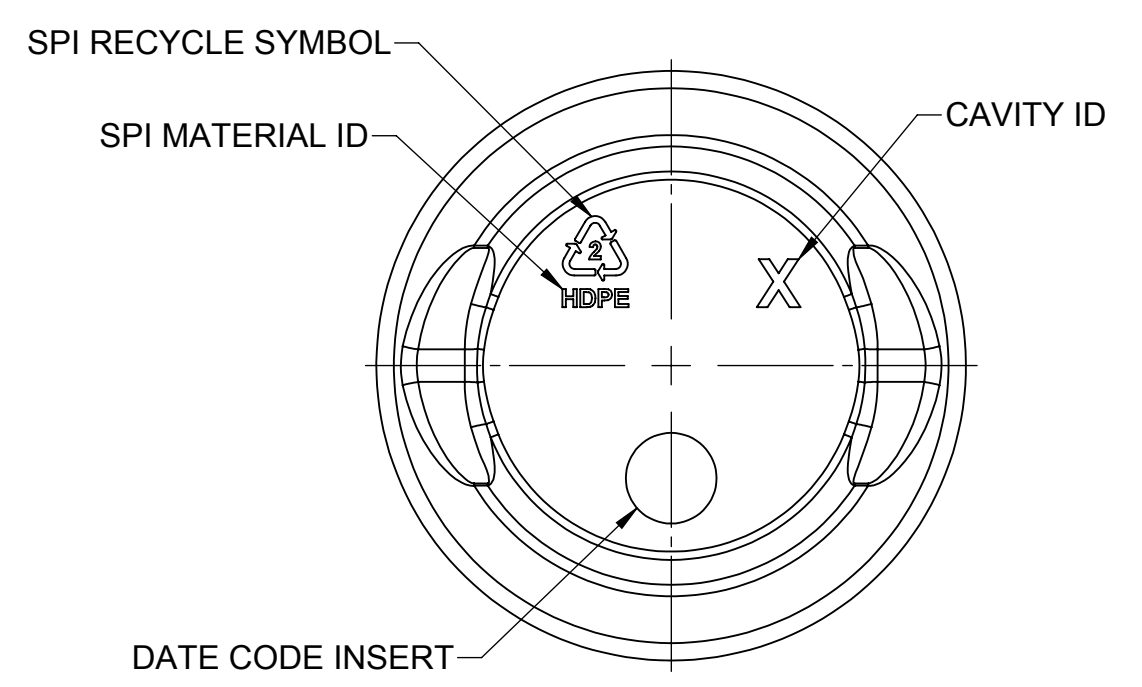
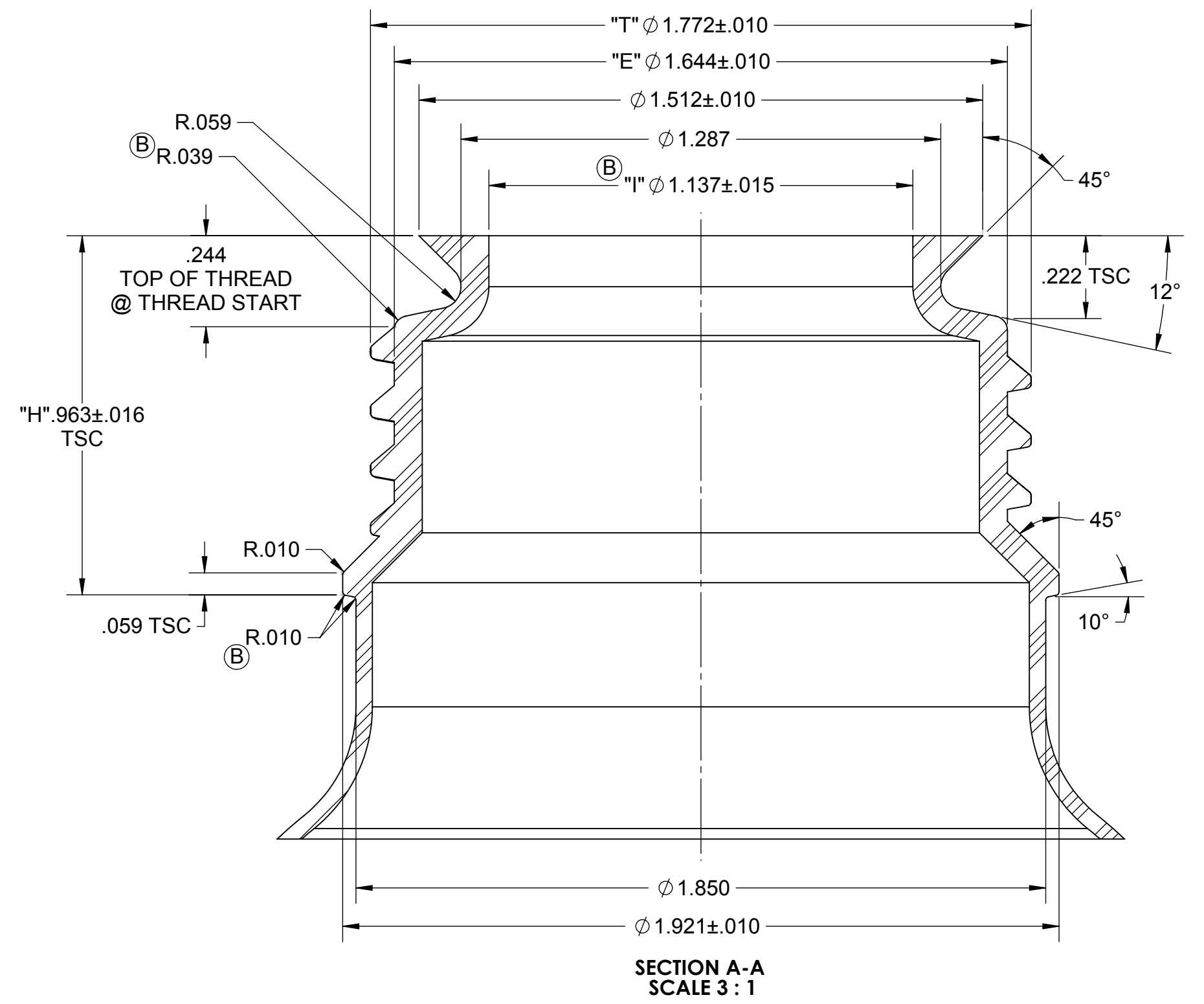
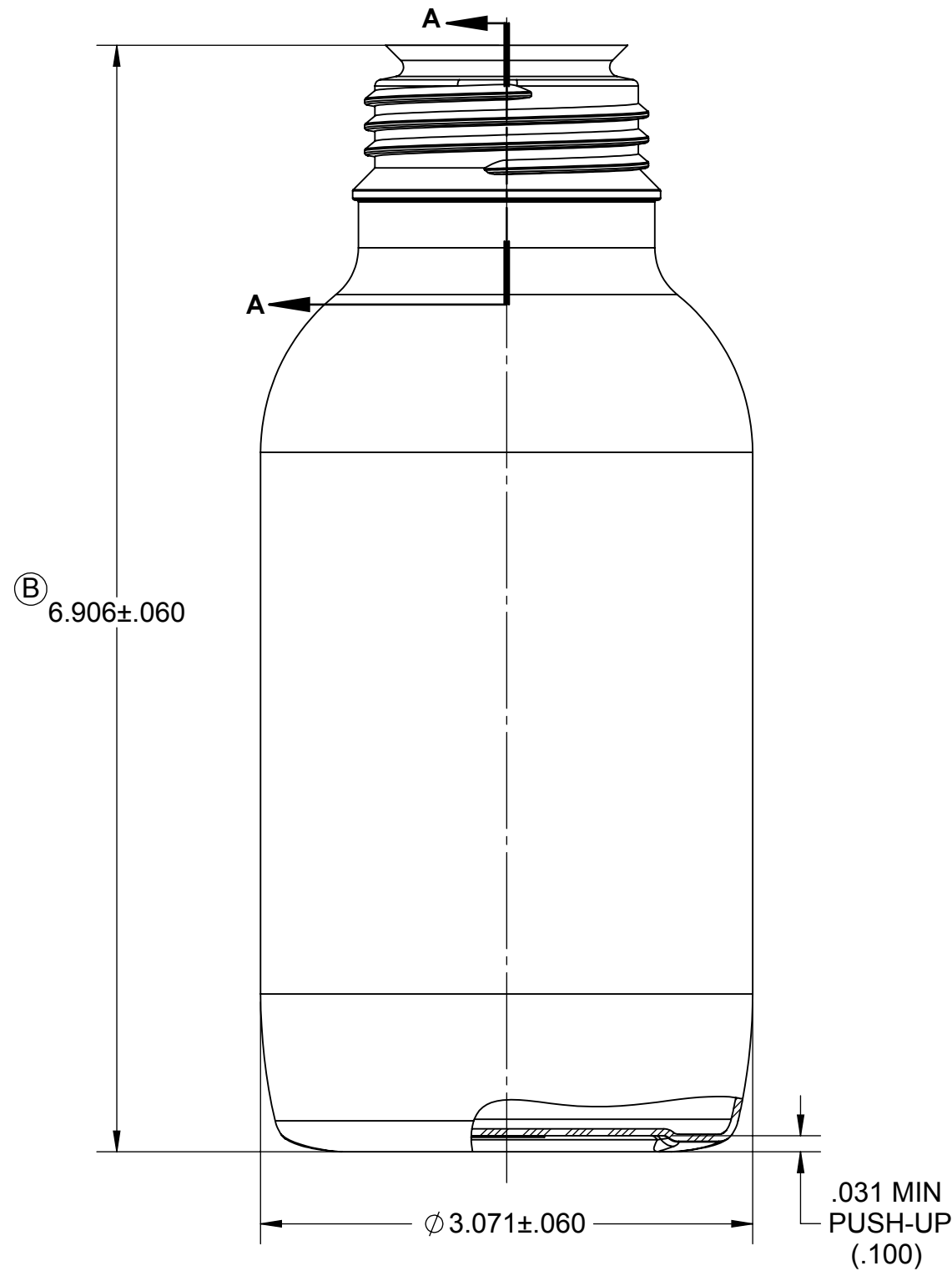


- NOTES:
- DO NOT SCALE DRAWING
  - ALL NECK FINISH DIAMETER DIMENSIONS ARE THE AVERAGE OF TWO MEASUREMENTS TAKEN ACROSS THE MAJOR AND MINOR AXES. THE LIMITS OF OVALITY ARE (.024)
  - THREAD SPECS = SINGLE LEAD, 4mm (.1575) PITCH, 3 REVOLUTIONS OF FULL THREAD DEPTH

LET	REVISION DESCRIPTION	BY	ECN #	DATE
A	ORIGINAL RELEASE	KRM	81129944	4/18/2012
B	6.906 WAS 7.007, 624.9cc WAS 637.3cc, "I" $\phi$ 1.137 $\pm$ .015 WAS "I" $\phi$ 1.110 MIN ( $\phi$ 1.137), ADDED DIMS R.039, R.010	KRM	81129944-1	5/11/2012



**NOTE:**  
THE 2D & 3D GEOMETRY ASSOCIATED WITH THIS DRAWING ARE ONLY A REPRESENTATION OF THE CUSTOMER'S DRAWING AND MOLDS - WHICH HAVE BEEN DIGITIZED TO MAKE NEW MOLDS.

**IN NO WAY SHOULD THE 3D FILE ASSOCIATED WITH THIS DRAWING EVER BE SENT TO A MOLD VENDOR TO CUT STEEL, AS IT MAY DIFFER FROM THE ACTUAL EXISTING MOLD GEOMETRY.**

PART DATA	
MATERIAL	HDPE
ESTIMATED WEIGHT	50.0g ± 2.0g
OVERFLOW CAPACITY	624.9cc ± 13.0cc
NECK FINISH	45mm SPECIAL

← .XXX →	← (.XXX) →	← .XXX →
BASIC DIMENSIONS	REFERENCE DIMENSIONS	INSPECTION DIMENSIONS
THIS DRAWING IS NOT A CONTROLLED DOCUMENT IF PRINTED OR COPIED FROM THE APPROVED VAULTING LOCATION		
THIS IS A PRELIMINARY PRODUCT DRAWING, SPECIFICATIONS ARE SUBJECT TO CHANGE.		

TOLERANCE UNLESS SPECIFIED	<p><b>BERRY</b> PLASTICS CORPORATION AND SUBSIDIARIES LEADERSHIP BY DESIGN 101 OAKLEY STREET EVANSVILLE, INDIANA 47706 TEL. (812) 424-2904</p>	<b>CONFIDENTIAL</b>				
xxx +/- .031		PRODUCT NAME:	DRAWING TYPE:			
xx +/- .063		<b>X</b>	<b>CUSTOMER</b>			
x +/- .094		DESCRIPTION:				
Fractional +/- 1/8"		500mL (45mm NECK) PUREPAK				
Angles +/- 1/2°	DRAWING NO.:	PROJECT #:				
	CP-120367-PRT01	120367				
	CREATED BY:	CREATION DATE:	SHEET	DRAWING VERSION	SCALE:	SHEET SIZE
	K. MCWILLIAMS	04/17/12	1 of 1	B.2	1:1	C