

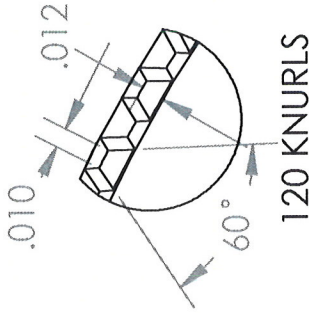
NOTES:

8 THREADS/INCH

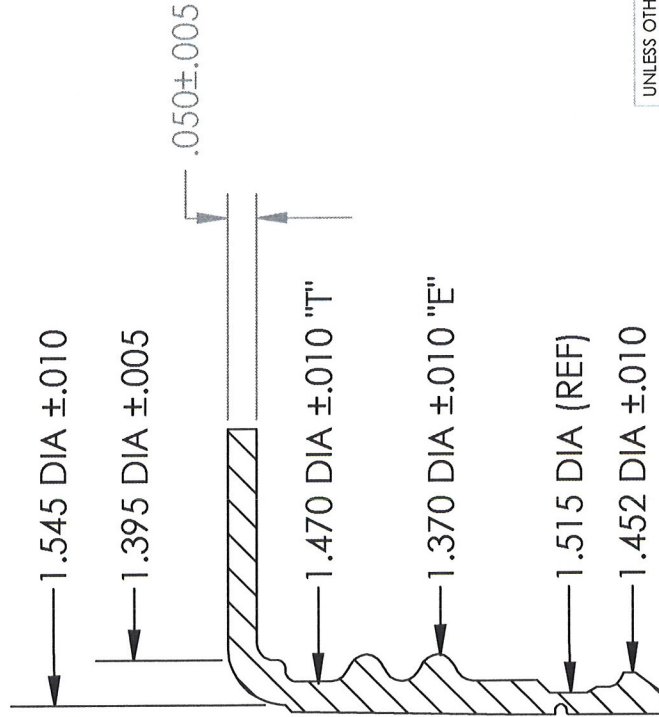
DEVIATIONS FROM REFERENCE DIMENSIONS WHICH WILL NOT AFFECT FUNCTION ARE ACCEPTABLE.

HEIGHT DIMENSIONS SUBJECT TO VARIATION DUE TO "CRUSHING" DURING PART EJECTION.

ADD .010" FOR TOP EMBOSS.



DETAIL B
SCALE 10 : 1



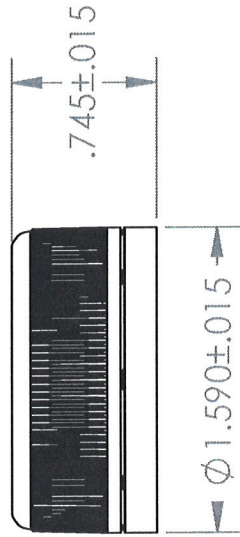
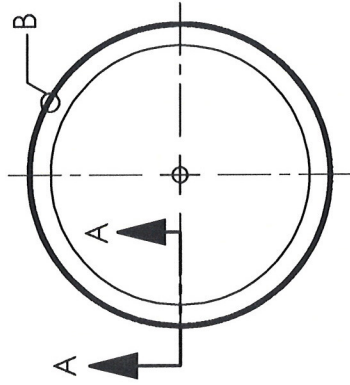
SECTION A-A
SCALE 3 : 1

GLASS FINISH: 1768 (B)

PLASTIC FINISH: 1763 & 1787

PROPRIETARY AND CONFIDENTIAL
THE INFORMATION CONTAINED IN THIS DRAWING IS THE SOLE PROPERTY OF HOFFER PLASTICS CORP. ANY REPRODUCTION IN PART OR AS A WHOLE WITHOUT THE WRITTEN PERMISSION OF HOFFER PLASTICS CORP. IS PROHIBITED.

ZONE	REV.	DESCRIPTION	DATE	APPROVED
	A	CHANGED NAME IN TITLE BLOCK TO HOFFER	8/27/98	SJL
	A1	REDRAWN IN CAD	3/7/08	WEI
	B	REMOVED 1769 GLASS BOTTLE FINISH	5/19/08	WEI



UNLESS OTHERWISE SPECIFIED:

DIMENSIONS ARE IN INCHES
TOLERANCES:
FRACTIONAL: ±
ANGULAR: ± 1°
TWO PLACE DECIMAL ± .010
THREE PLACE DECIMAL ± .005

INTERPRET GEOMETRIC TOLERANCING PER:

MATERIAL POLYPROPYLENE
FINISH

DO NOT SCALE DRAWING

NAME WEI

DATE 3/7/08

DRAWN

DESIGN APPROVED

COMMENTS:

LINER:

SS222 1.480 DIA .030 ±.005 THICK

EVA A-300 1.480 DIA .028 ±.003 THICK

Hoffer Plastics Corp.
500 N. Collins St.
So. Elgin, IL 60177



TITLE:

38 mm DROP-LOK®

SIZE DWG. NO. REV

A CA 38-18 B

SCALE: 1:1 Shrink:

SHEET 1 OF 1