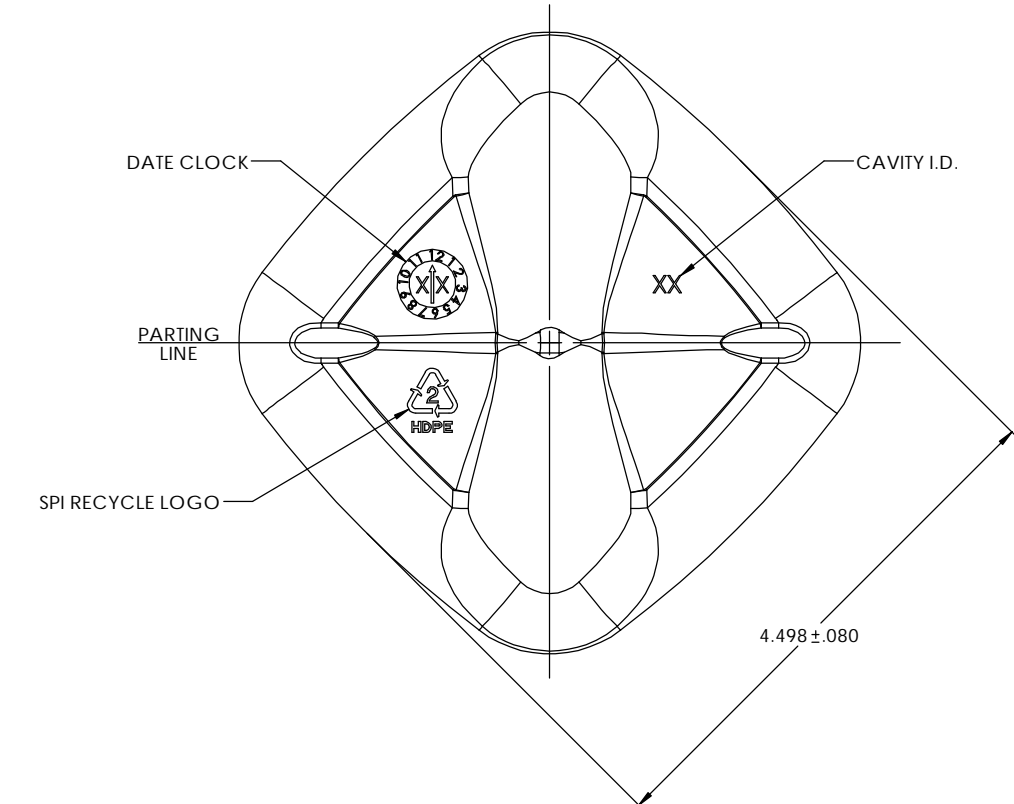
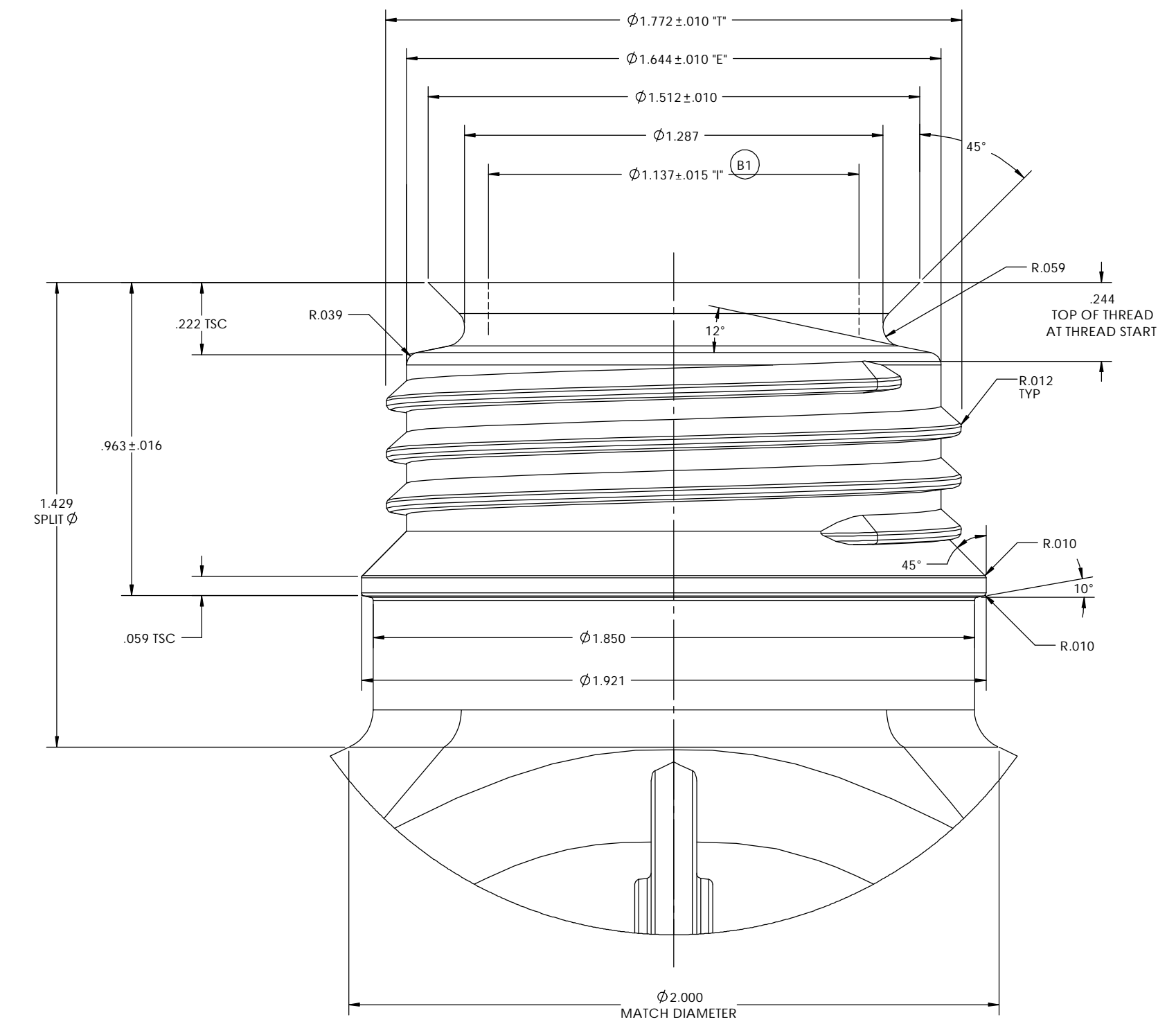
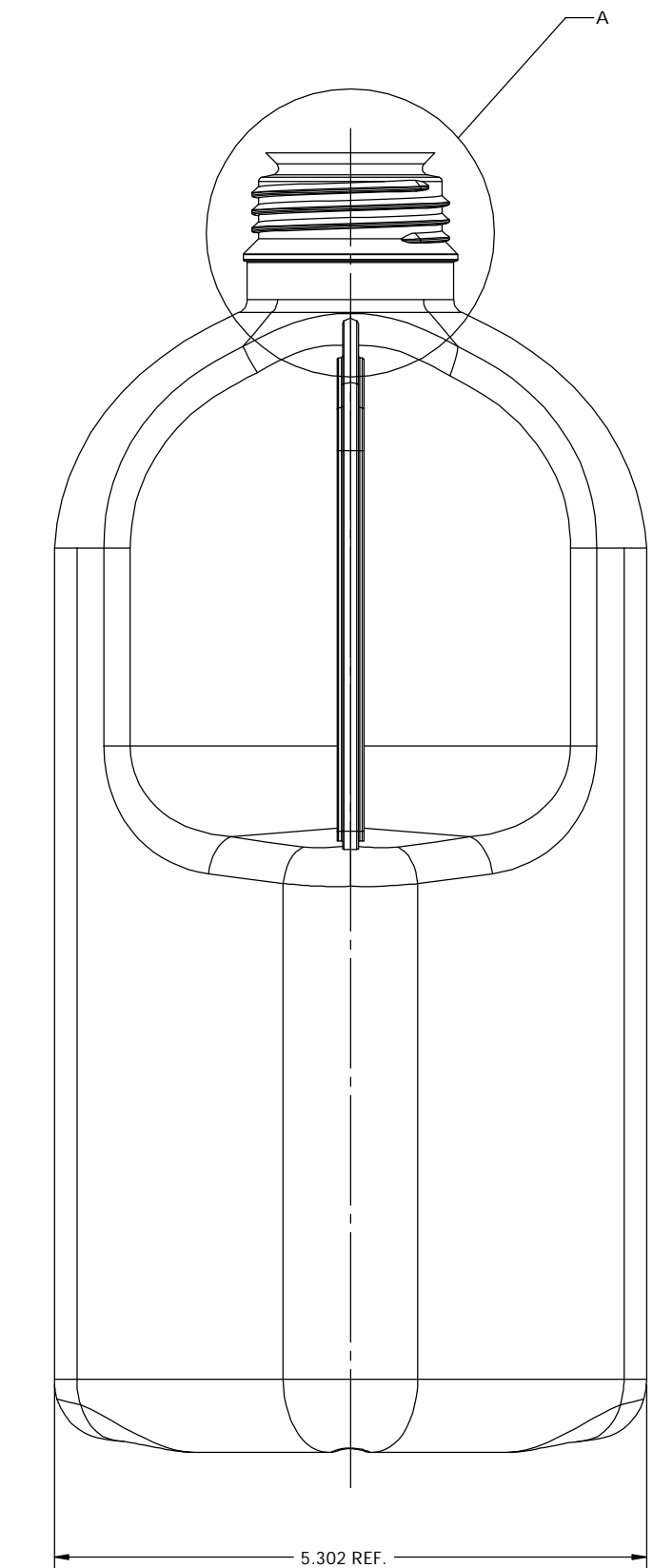
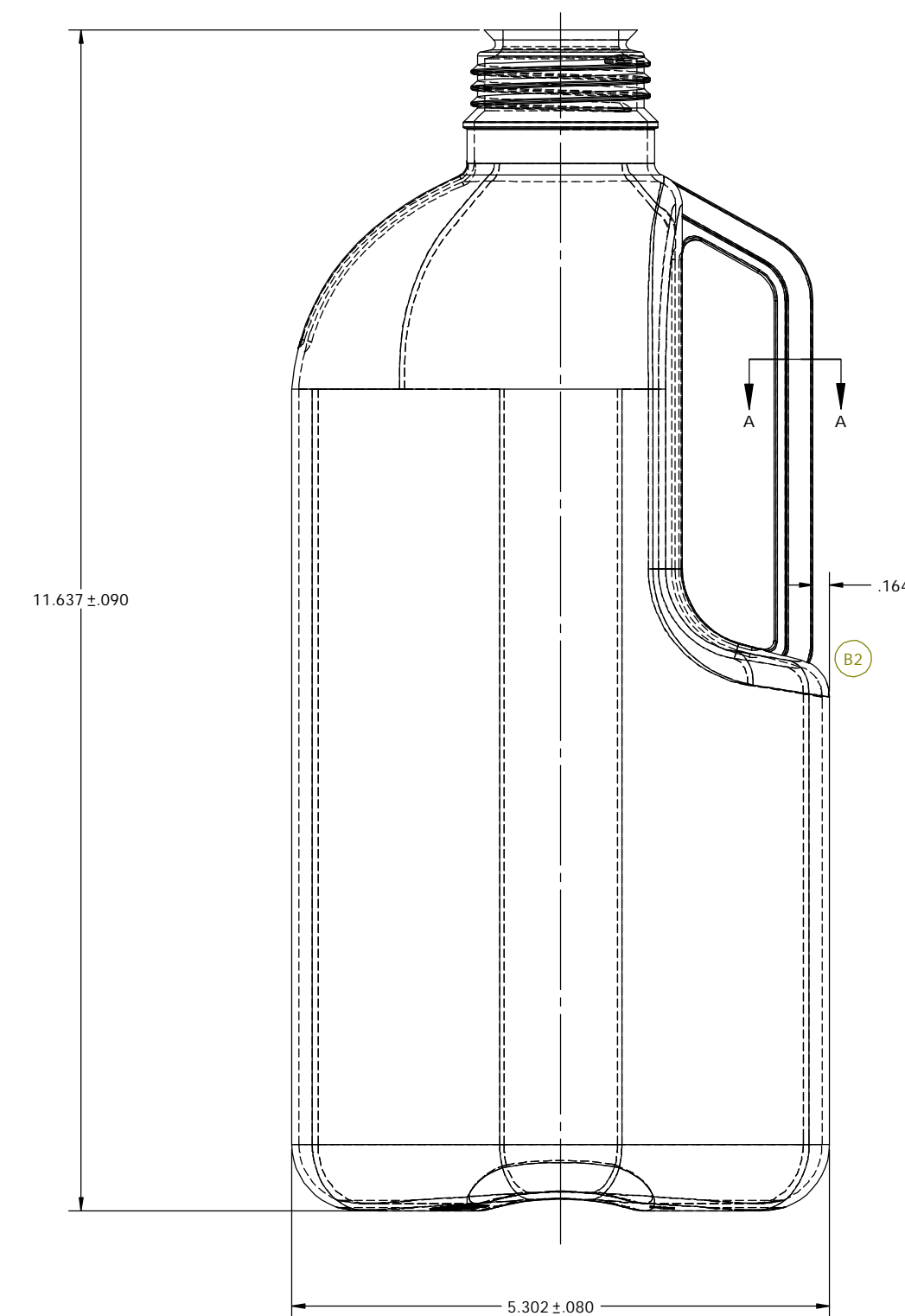
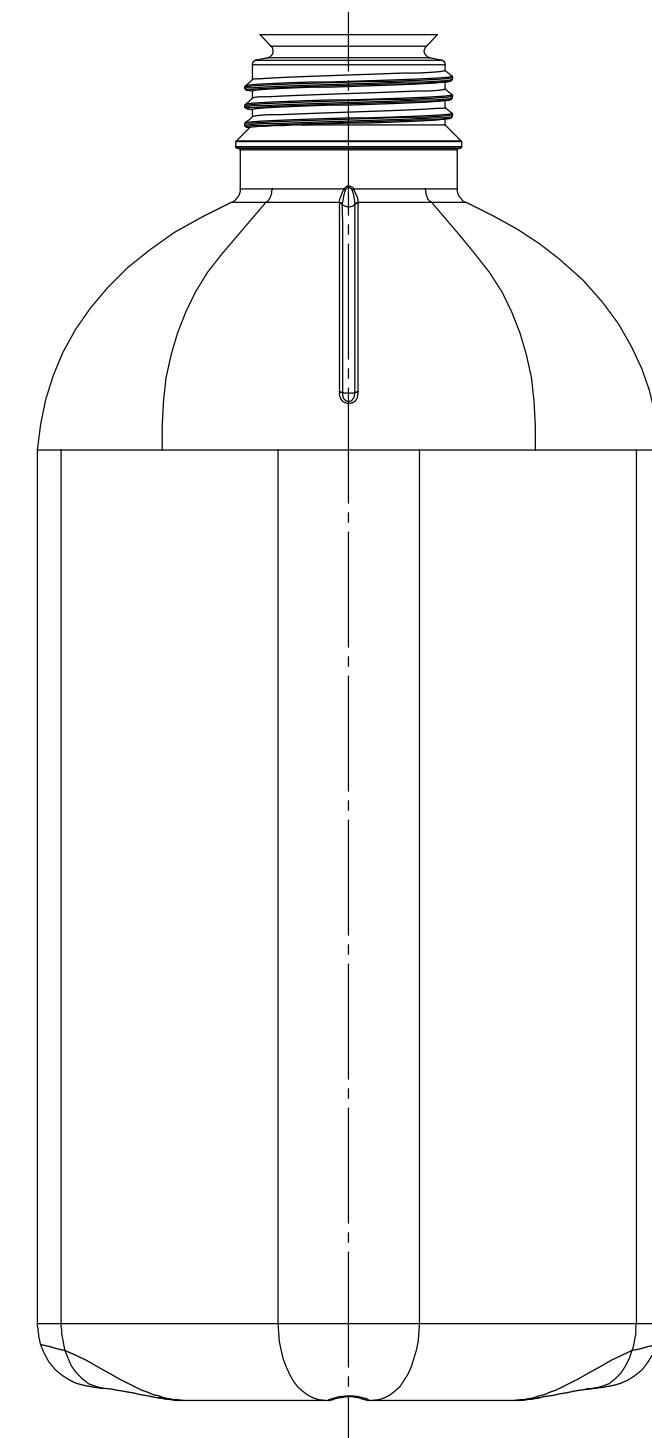
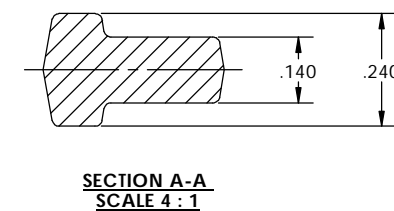
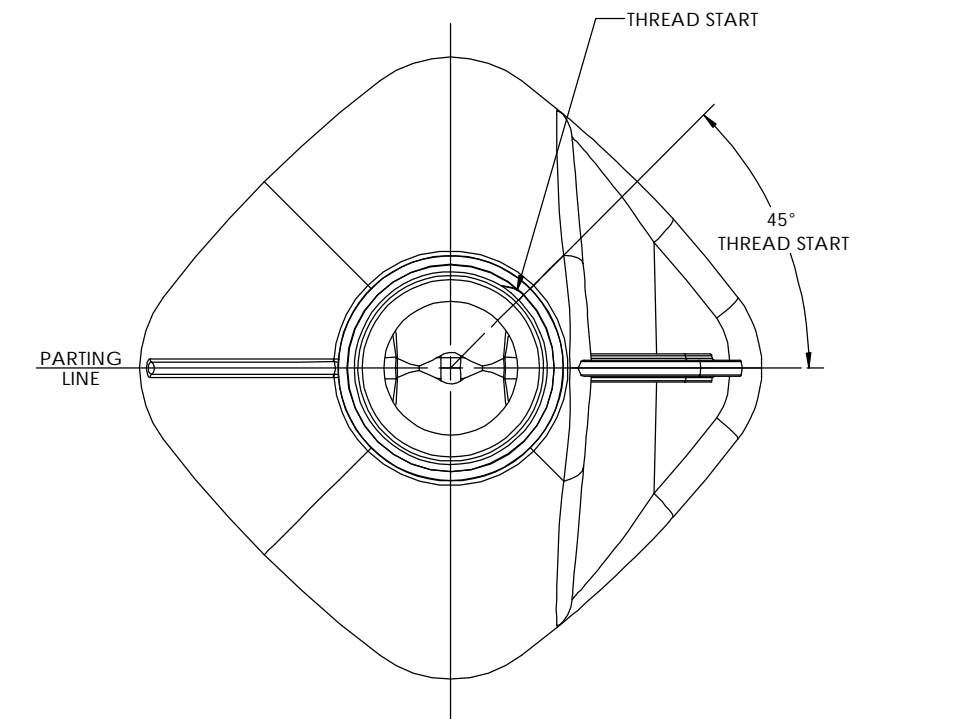


LET	REVISION DESCRIPTION	BY	ECN #	DATE
A	ORIGINAL RELEASE	D.A.	05588340	04/11/2012
B	1)WAS Ø 1.643 MIN. 2)ADDED RADIUS	D.A.	05588340-Rev1	02/11/2012
C	1)ADDED BASE ENGRAVING - DATE CLOCK	D.A.	05588340-Rev2	04/13/2012

- NOTES:
1. INTERPRET DRAWING TO ASME Y14.5M - 1994
 2. DO NOT SCALE DRAWING
 3. ALL NECK FINISH DIAMETER DIMENSIONS ARE THE AVERAGE OF TWO MEASUREMENTS TAKEN ACROSS THE MAJOR AND MINOR AXIS. THE LIMITS OF OVALITY ARE (.036).
 4. THREAD SPEC = SINGLE LEAD, 4 MM (.1575") PITCH, 3 REVOLUTIONS.
 5. MIN. WALL THICKNESS IN PANEL = .038
 6. MIN. HEEL = .032
 7. MIN. TAIL SCAR = .075
 8. TOP FLATNESS ON SEALING SURFACE MAX. = .015



NOTE:
 THE 2D & 3D GEOMETRY ASSOCIATED WITH THIS DRAWING ARE ONLY A REPRESENTATION OF THE CUSTOMER'S DRAWING AND MOLDS - WHICH HAVE BEEN DIGITIZED TO MAKE NEW MOLDS.
 IN NO WAY SHOULD THE 3D FILE ASSOCIATED WITH THIS DRAWING EVER BE SENT TO A MOLD VENDOR TO CUT STEEL, AS IT MAY DIFFER FROM THE ACTUAL EXISTING MOLD GEOMETRY.

MOLD #XXXX

TOLERANCE UNLESS SPECIFIED	DATE
xxx +/- .031	04/11/12
xx +/- .063	02/11/12
x +/- .084	02/11/12
Fractional +/- .187	
Angles +/- .12°	

PART DATA	
MATERIAL	PPCO RESIN - NATURAL
ESTIMATED WEIGHT	208.0gr ±8.0gr
OVERFLOW CAPACITY	2476.0ml ±30.0ml
NECK FINISH	45mm Special Neck

THIS IS A PRELIMINARY PRODUCT DRAWING. SPECIFICATIONS ARE SUBJECT TO CHANGE.

PRODUCT NAME	CUSTOMER
2.5L (45mm Neck) Industrial Square Handiware - PurePak	

FILE NAME	PROJECT #
CP-120325-PR101	120325

DATE/APP'D	DATE/APP'D	SHEET	TOTAL SHEETS	SCALE	UNIT
Don Ankeny	04/11/12	1 of 1	8.2	1:1	E

REFERENCE: #D08-046-RevB