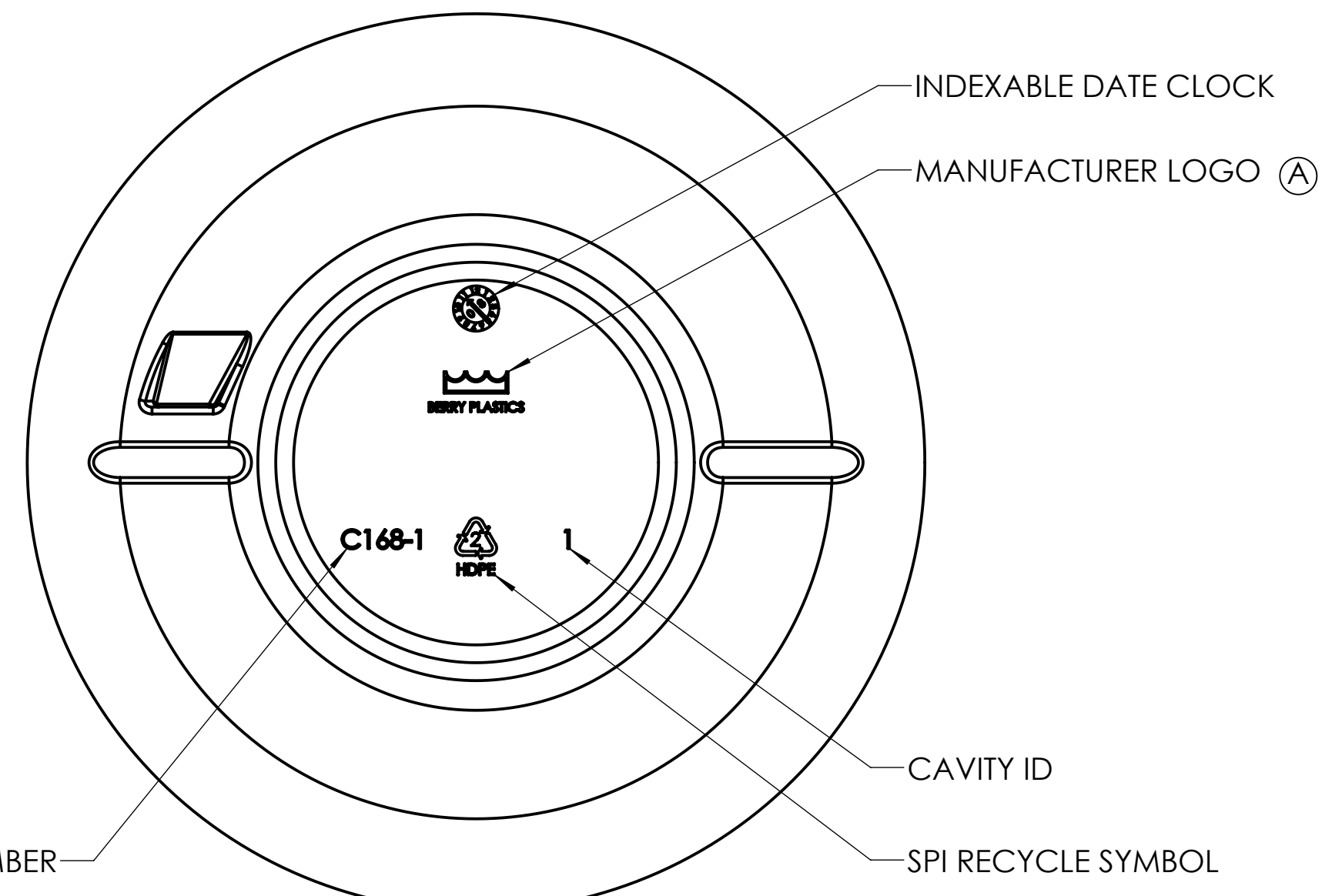
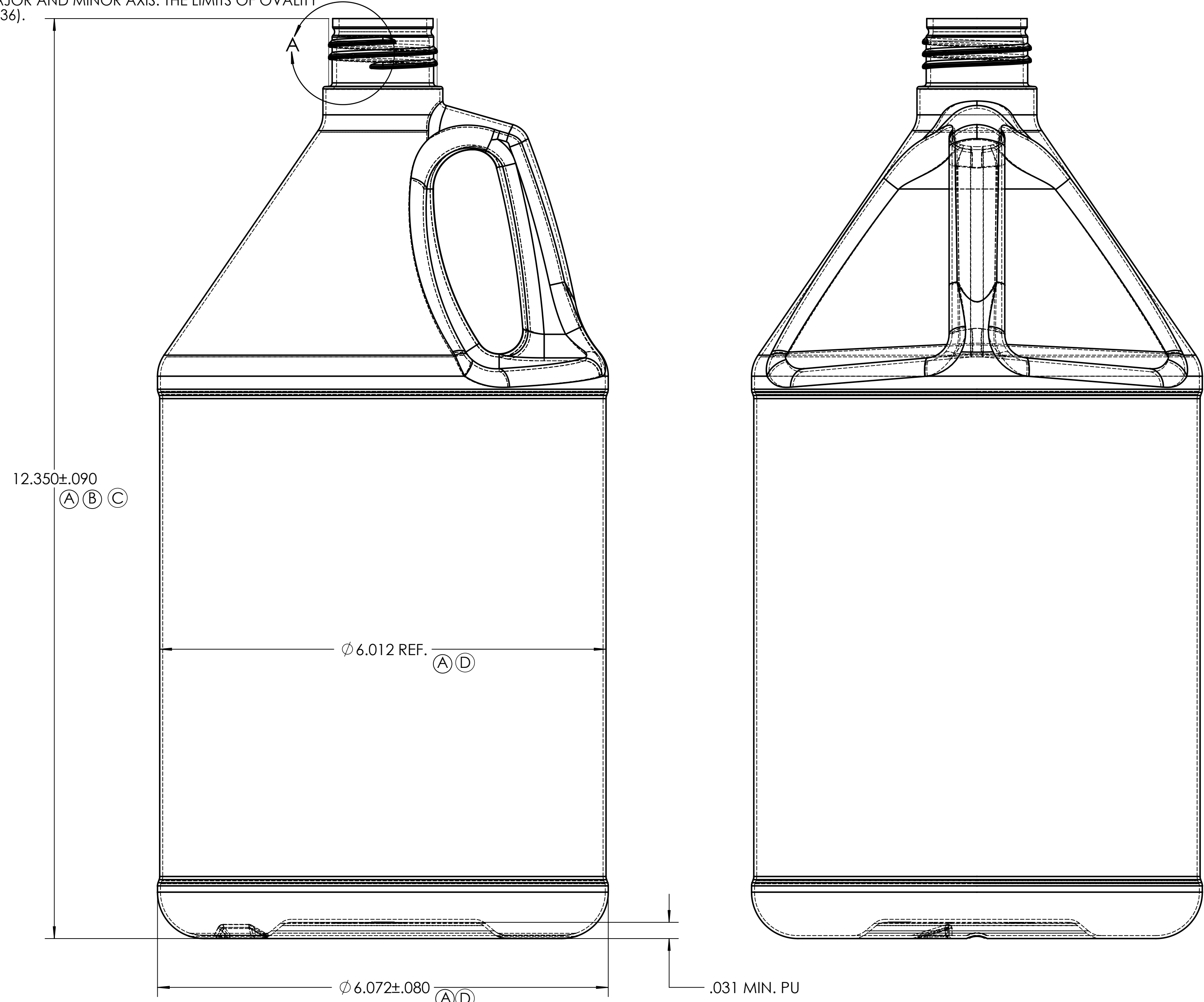
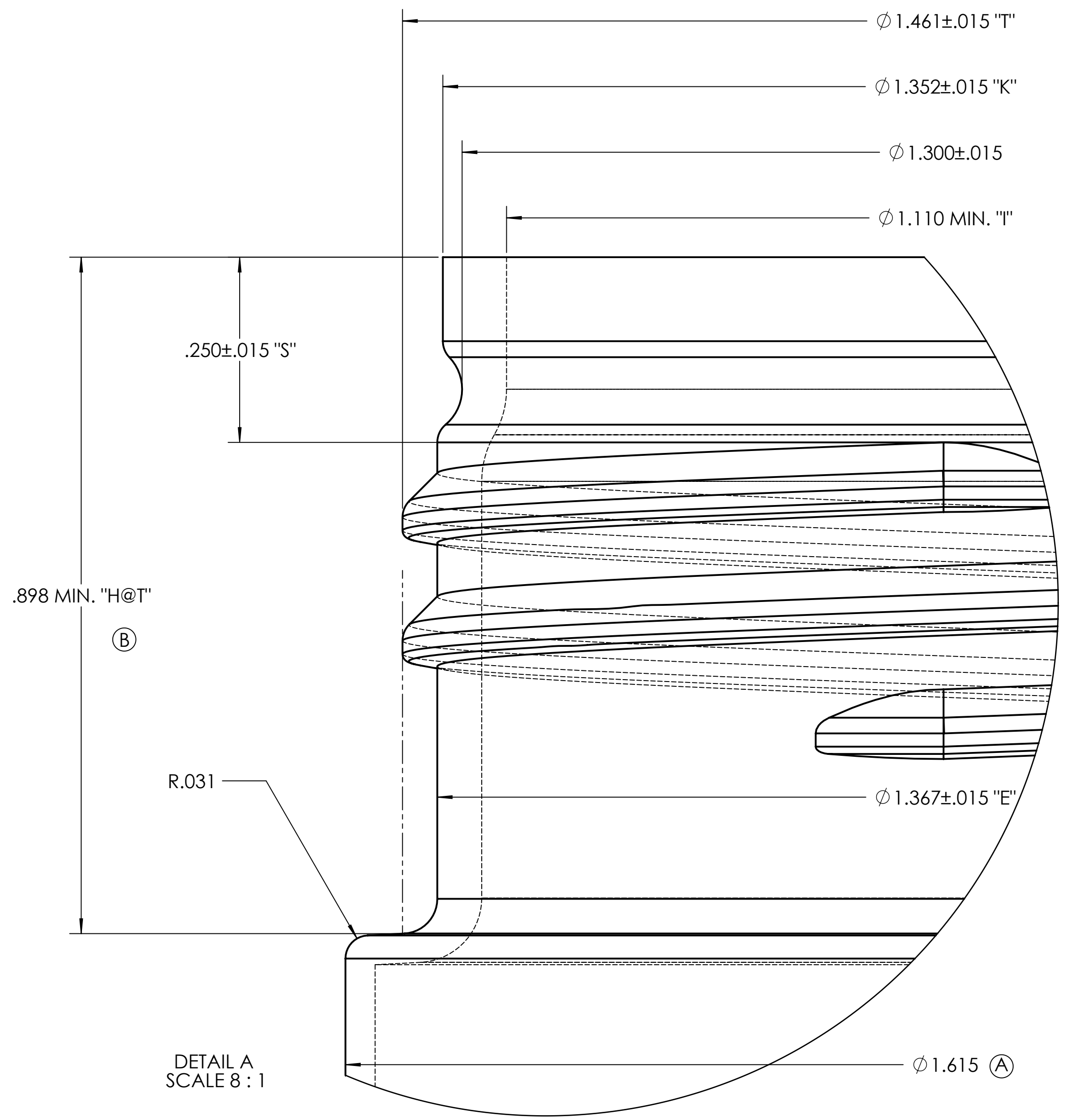


ALL NECK FINISH DIAMETER DIMENSIONS ARE THE AVERAGE OF TWO MEASUREMENTS TAKEN ACROSS THE MAJOR AND MINOR AXIS. THE LIMITS OF OVALITY ARE (.036).



LET	REVISION DESCRIPTION	BY	ECN #	DATE
A	REVISED COLLAR DESIGN TO WORK WITH C169-1 CONFIG. 3911mL OFC WAS 3853mL; 6.002 BOTTLE DIAMETER WAS 5.963; 5.942 REF. WAS $\phi$ 5.903; $\phi$ 1.615 "N" WAS $\phi$ 1.558; 12.532 OVERALL BOTTLE HEIGHT WAS 12.534; REMOVED PPT LOGO FROM BASE & ADDED BERRY PLASTICS LOGO.	D.SILLETT		11/19/2008
B	PER CUSTOMER REQUEST, REDUCED "H" BY .142 .898 MIN. "H@T" WAS 1.040 MIN.; 12.390 OVERALL BOTTLE HEIGHT WAS 12.532; 3908 CC OFC WAS 3911 CC.	D.SILLETT		11/21/2008
C	12.350 WAS 12.390; ADDED MIN. WALL NOTES.	R.LIKA		1/20/2010
D	3988cc OFC WAS 3908; $\phi$ 6.072 WAS $\phi$ 6.002; $\phi$ 6.012 WAS $\phi$ 5.942.	D.SILLETT		8/30/2010



DETAIL A  
SCALE 8 : 1

MIN WALL:  
BODY: .022  
HEEL RADIUS: .020

PART DATA	
MATERIAL	HDPE
ESTIMATED WEIGHT	150 GMS. ± 6 GMS.
OVERFLOW CAPACITY	(A, B) 3988 CC ± 44 CC
NECK FINISH	38-439 CUSTOM



THIS DRAWING HAS BEEN RELEASED FOR PRODUCTION.

TOLERANCE UNLESS SPECIFIED
xxx +/- .031
xx +/- .063
x +/- .094
Fractional +/- 1/8"
Angles +/- 1/2°

**BERRY**  
PLASTICS CORPORATION  
LEADERSHIP BY DESIGN  
101 OAKLEY STREET  
EVANSVILLE,  
INDIANA 47706  
TEL. (812) 424-2904

CONFIDENTIAL	
PRODUCT NAME: <b>B38RD1HA</b>	DRAWING TYPE: <b>CUSTOMER</b>
DESCRIPTION: 1 GALLON CUSTOM HANDLEWARE	
FILE NAME: CP-100034-PRTO1	PROJECT #: 100034
CREATED BY: D.SILLETT	CREATION DATE: 11/05/08
SHEET: 1 of 1	DRAWING VERSION: D
SCALE: 1:1	SHEET SIZE: D

TOOL #: C168-1