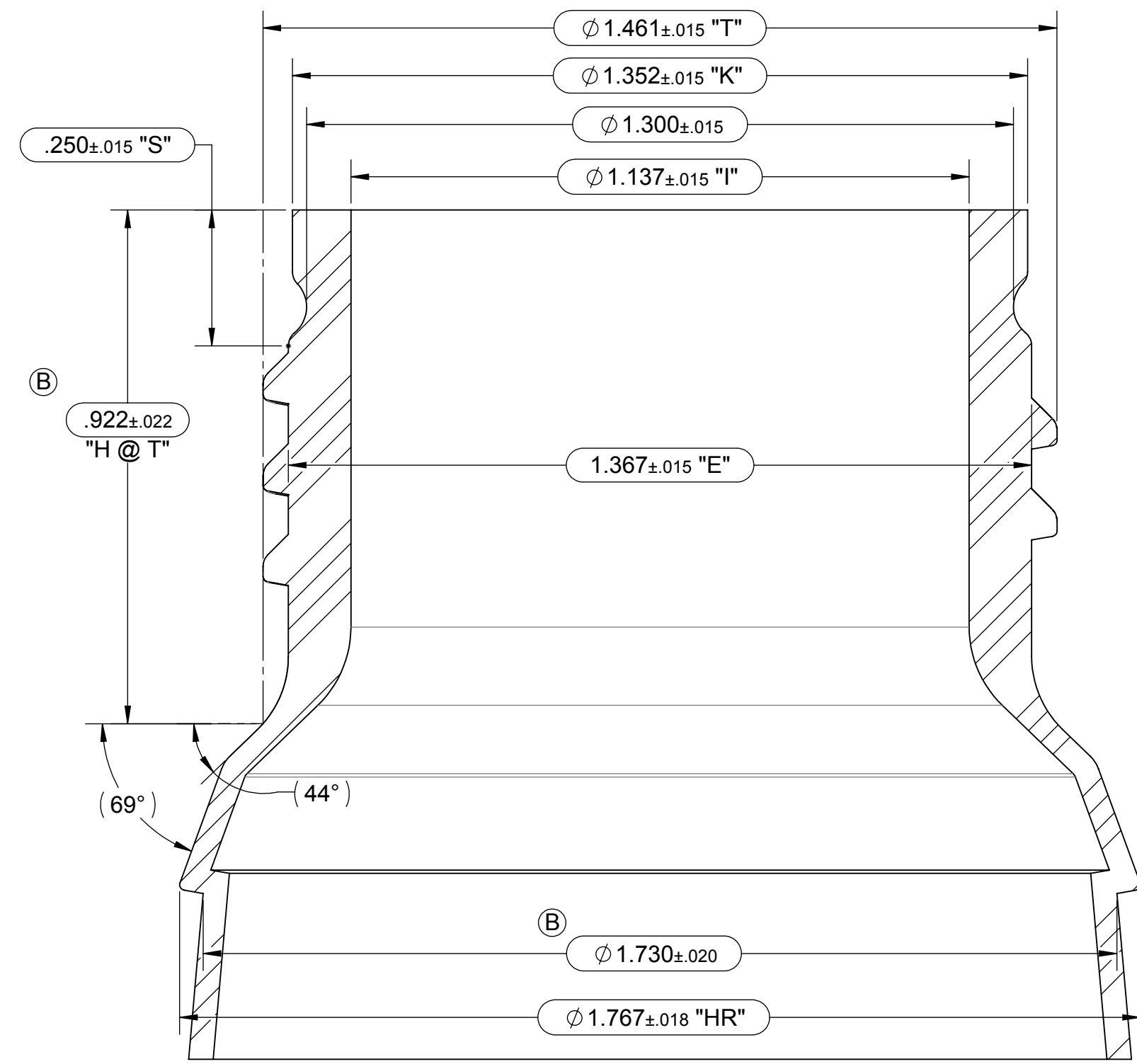
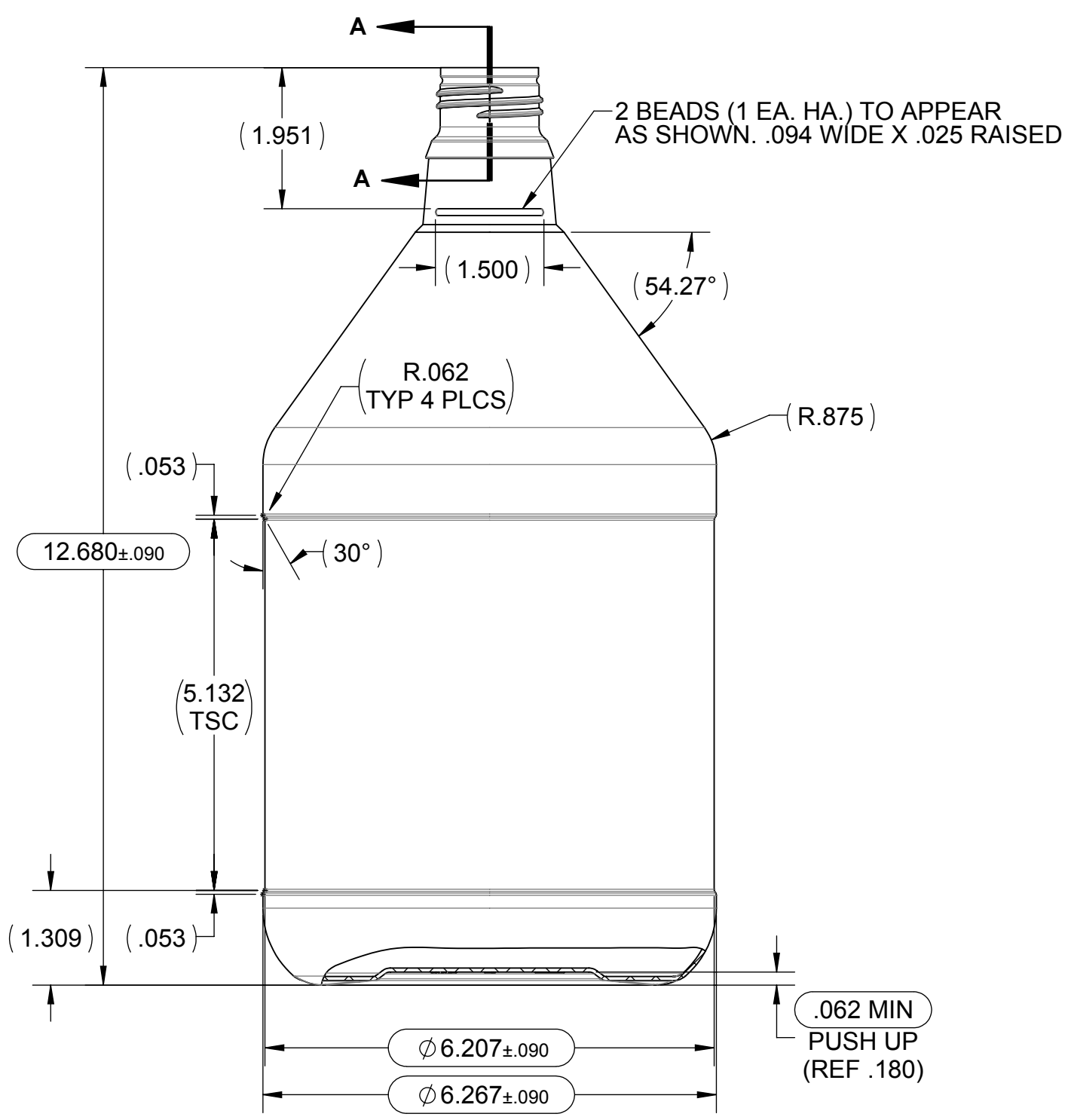


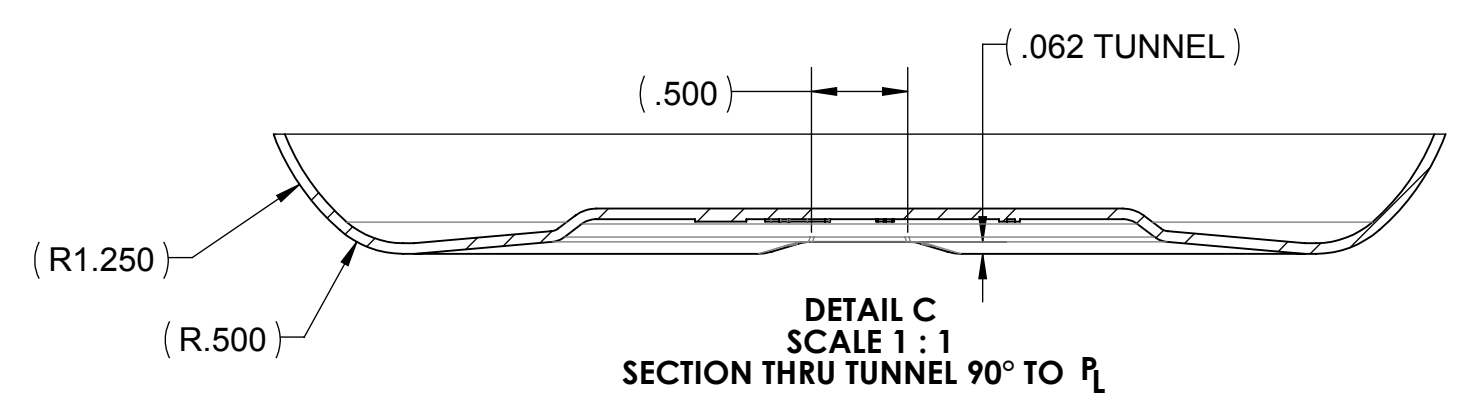
PRODUCTION RELEASE

LET	REVISION DESCRIPTION	BY	ECN #	DATE
A	INITIAL DRAWING RELEASE	ZMB	RCT160219	4/6/2018
B	.922 ± .022 WAS .946 ± .015, 1.730 ± .020 WAS 1.681 ± .010	ELB	18220516	5/15/2019
C	REVISED PART DATA TO ADD: MIN "E", MIN BUMP, SHOULDER, MIN. BODY WALL, MIN. BOTTOM BUMP., MIN. WALL HEEL, MIN. TAIL SCAR. AND THEIR CORRESPONDING VALUES	ELB	RCT190166	5/17/2019

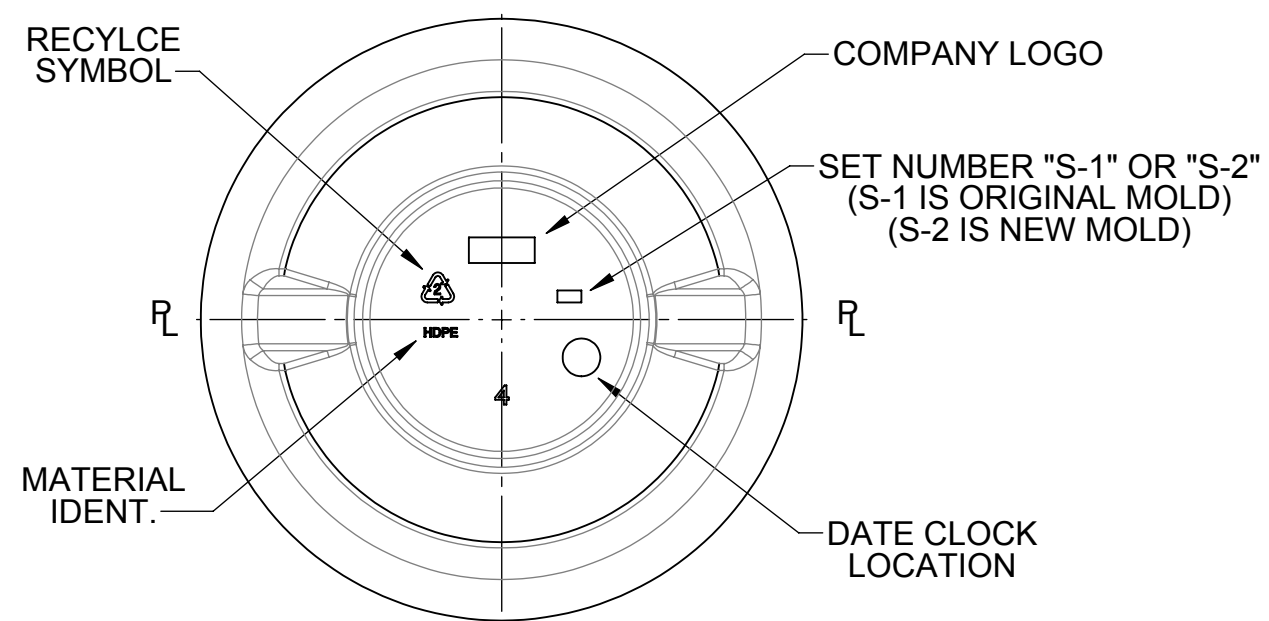
- NOTES:
- DO NOT SCALE DRAWING
 - ALL NECK FINISH DIAMETER DIMENSIONS ARE THE AVERAGE OF THE TWO MEASUREMENTS TAKEN ACROSS THE MAJOR AND MINOR AXIS.
 - THREAD DETAILS: SINGLE LEAD, 6 TPI (.167 PITCH), 2 REVOLUTIONS OF FULL THREAD PROFILE



SECTION A-A
SCALE 4 : 1



DETAIL C
SCALE 1 : 1
SECTION THRU TUNNEL 90° TO P_L



MOLD C95

PART DATA	
MATERIAL	HDPE
ESTIMATED WEIGHT	193.0g + 7.5g - 5.0g
OVERFLOW CAPACITY AS MOLDED	4230.0cc ± 53.0cc
OVERFLOW CAPACITY AFTER FLAMING	4200.0cc ± 53.0cc
NECK FINISH	38-439 O.I.
NECK FINISH OVALITY	.036 MAX
MIN. "E" WALL	.080
MIN. BUMPER SHOULDER	.038
MIN. BODY WALL	.035
MIN. BOTTOM BUMPER	.032
MIN. WALL HEEL	.032
MIN. TAIL SCAR	.075

REFERENCE DIMENSIONS ARE NOT INSPECTED AND NO TOLERANCE APPLIED INSPECTION DIMENSIONS ARE VERIFIED WITH TOLERANCE

THIS DRAWING IS NOT A CONTROLLED DOCUMENT IF PRINTED OR COPIED FROM THE APPROVED LOCATION

CONFIDENTIAL

THIS UNPUBLISHED WORK IS THE PROPERTY OF BERRY GLOBAL INC. AND IS PROTECTED BY TRADE SECRET, COPYRIGHT AND OTHER INTELLECTUAL PROPERTY LAWS AND MAY ALSO BE SUBJECT TO A SPECIFIC OR GENERAL CONFIDENTIALITY AGREEMENT. IT IS NOT TO BE VIEWED BY UNAUTHORIZED PERSONS OR DUPLICATED IN ANY MEDIUM FOR PURPOSES OTHER THAN THOSE FOR WHICH IT IS SPECIFICALLY FURNISHED.

<p>101 OAKLEY STREET EVANSVILLE, INDIANA 47706 TEL. (812) 424-2904</p>	JDE TOOL NUMBER: ZB38RD9H	DRAWING TYPE: CUSTOMER
	DESCRIPTION: 9 PINT BETA CONTAINER	
DRAWING NO: CP-180264-PRT01	PROJECT NUMBER: 1800205	
LAST MODIFIED BY AND DATE: rieger - 5/17/2019 3:17:00 PM	CREATED BY: ZMB	CREATION DATE: 4/6/2018
DRAWING REVISION: C	SHEET: 1 of 1	SCALE: SHEET SIZE: 1:4 C

**THIS DRAWING SUPERCEDES
LEGACY SETCO DRAWING D93-08**