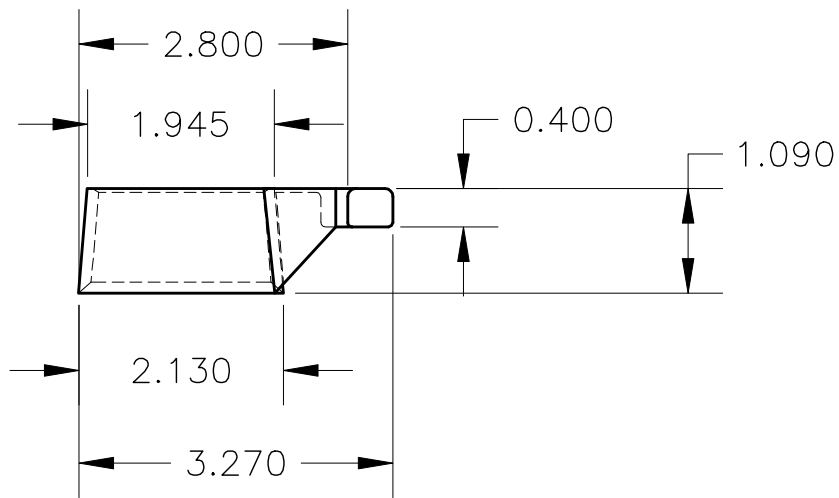


SECTION THRU CENTER



A	8/8/07	CHANGED TITLE BLOCK AND LAYOUT	APPROVAL
---	--------	--------------------------------	----------

THIS DRAWING AND THE INFORMATION CONTAINED  
 THERE IN IS THE SOLE PROPERTY OF PUREPAK TECH.  
 ANY REPRODUCTION IN PART OR WHOLE WITHOUT THE  
 WRITTEN PERMISSION OF PUREPAK TECH. IS PROHIBITED.

### PurePak Technology Corporation

324 South Bracken Lane, Suite 3, Chandler, AZ 85224

ALL DIMENSIONS IN INCHES  
 UNLESS OTHERWISE SPECIFIED:  
 DECIMALS: X.XX ±.010  
 X.XXX ±.005  
 X.XXXX ±.002

ANGLES: X.X ±.500°

DESCRIPTION:

T - HANDLE  
 for BETA BOTTLE

APPRD.

SHEET 1 OF 1

SCALE: 1:2

DRAWN BY: MSR

DATE: 8/8/07