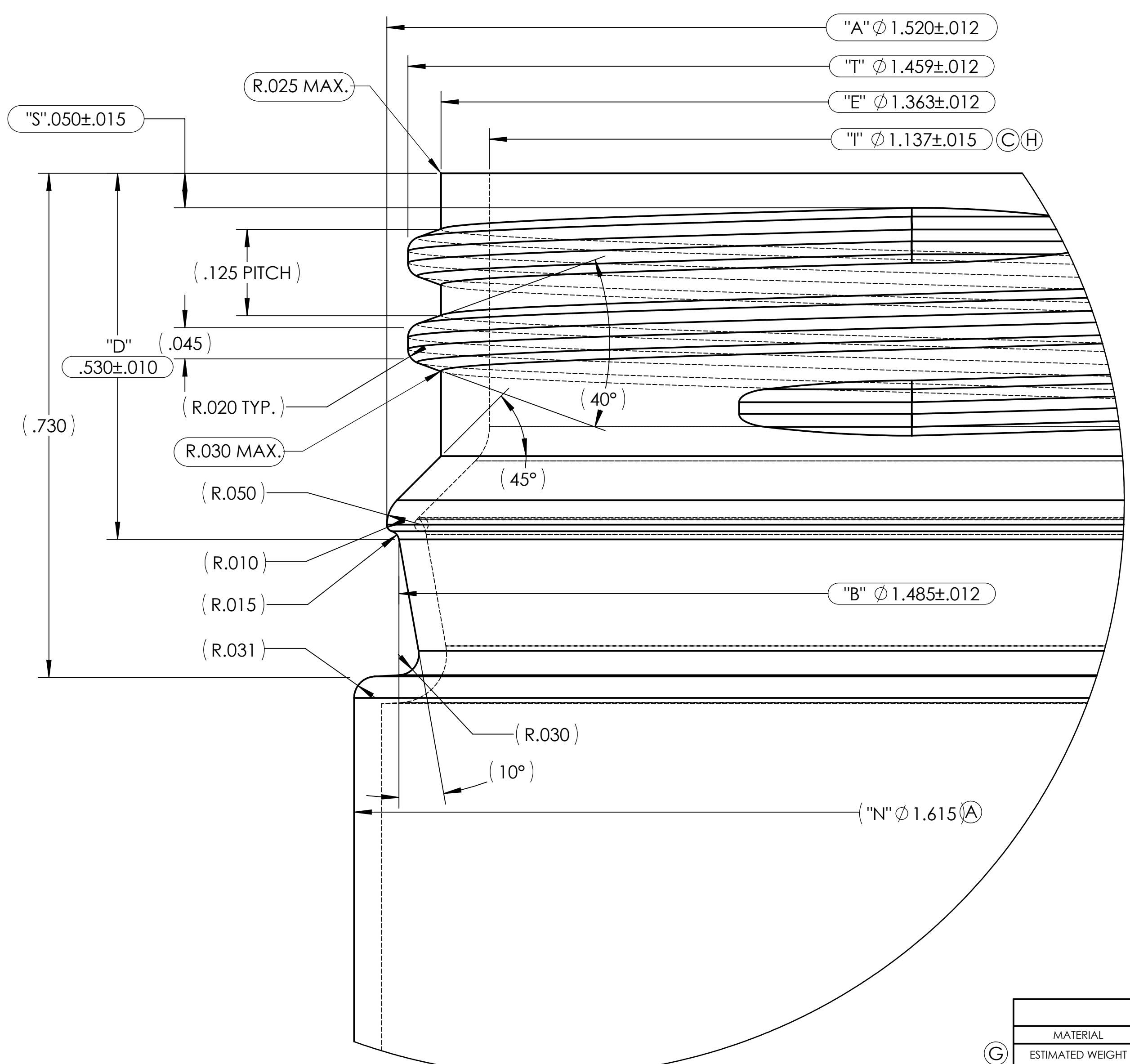
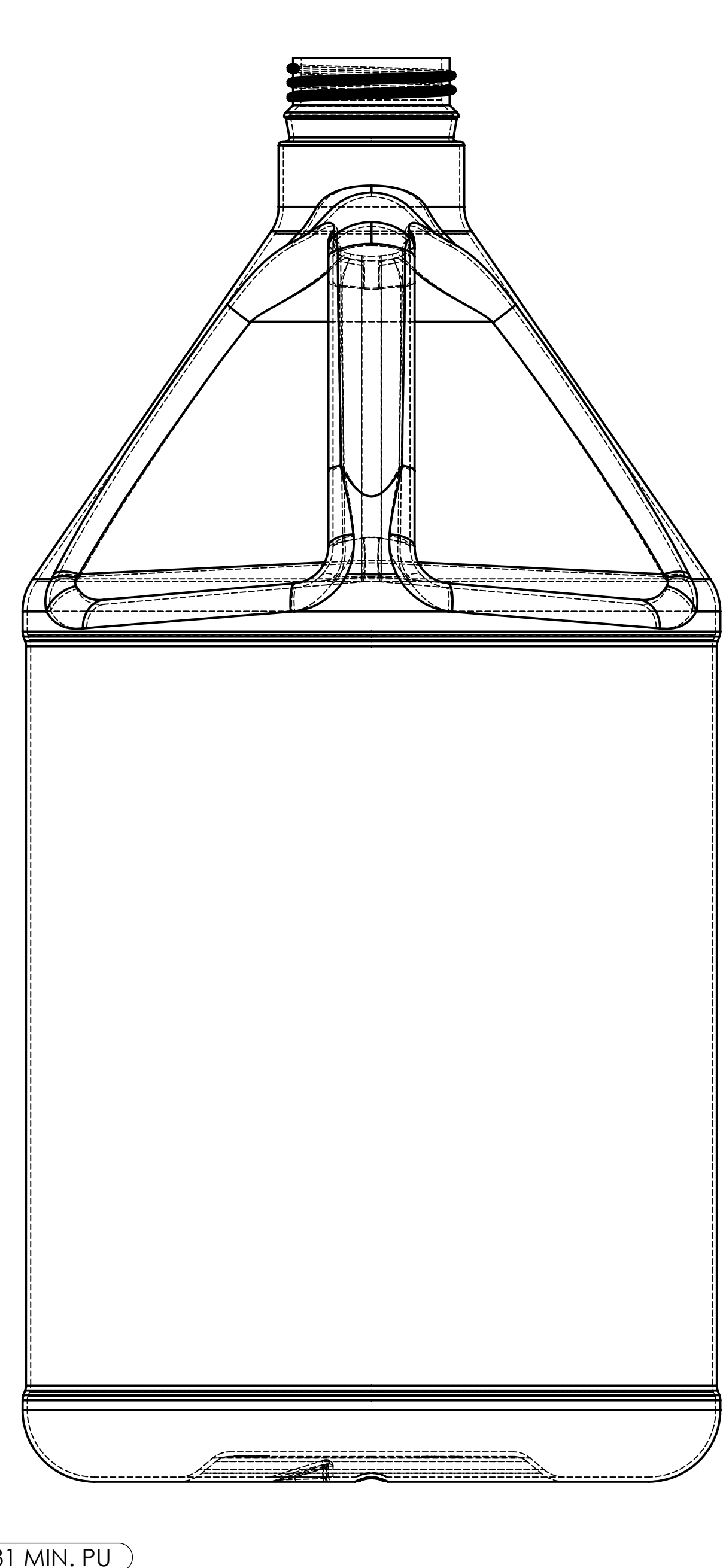
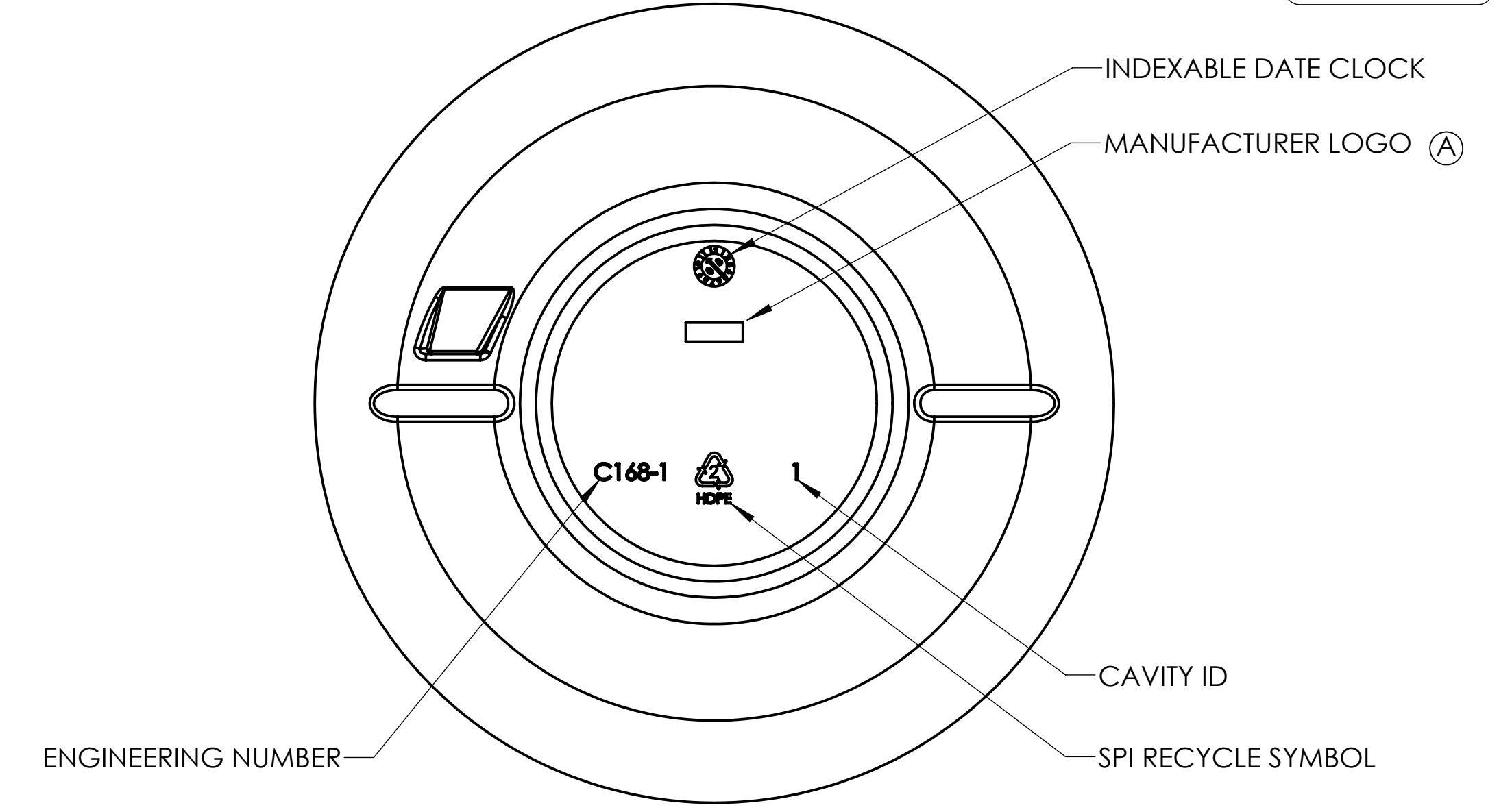
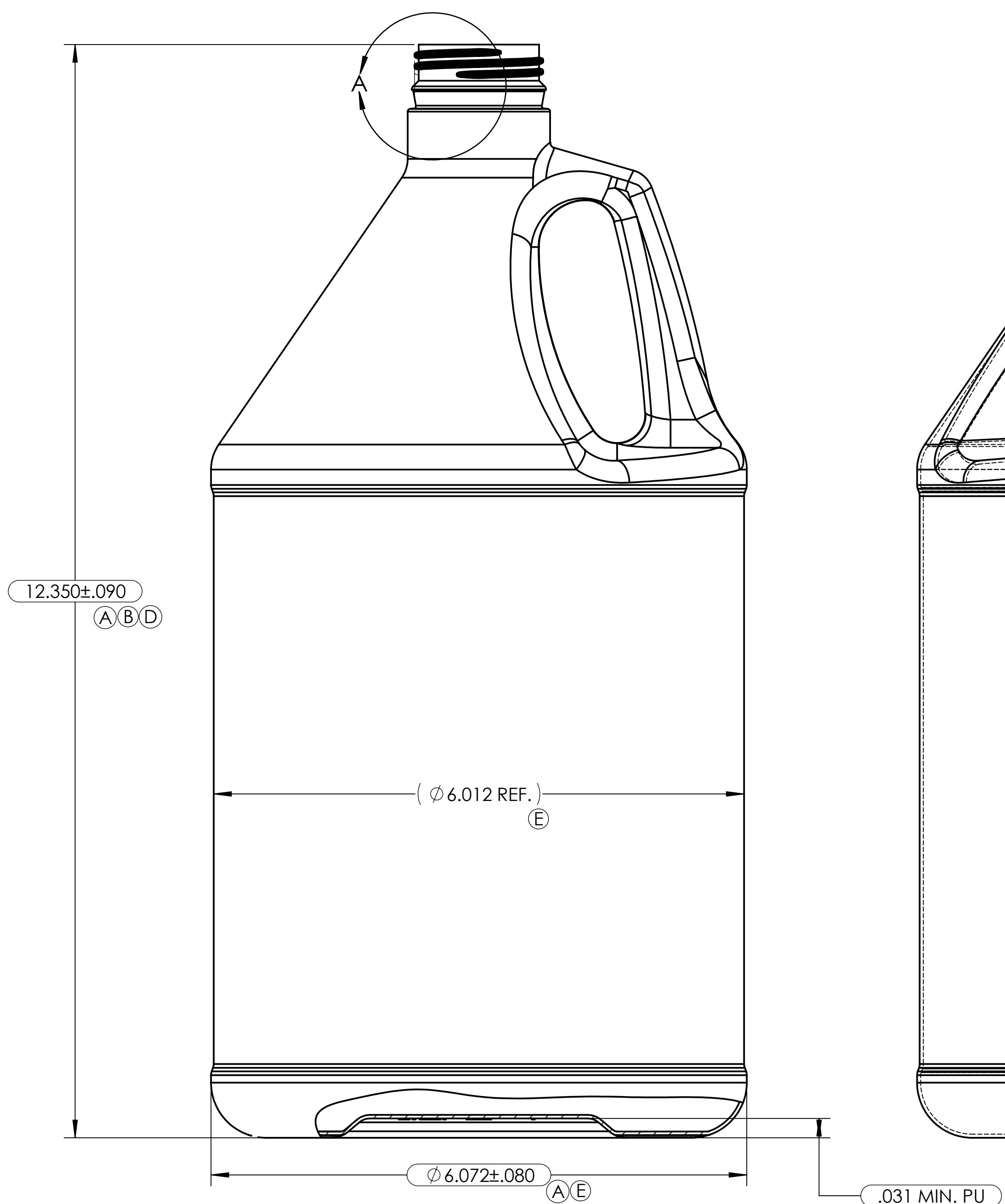


PRODUCTION RELEASE



DETAIL A
SCALE 8 : 1

1. DO NOT SCALE DRAWING
2. ALL NECK FINISH DIAMETER DIMENSIONS ARE THE AVERAGE OF TWO MEASUREMENTS TAKEN ACROSS THE MAJOR AND MINOR AXES.
3. HOFFER PLASTICS 38MM DROP-LOK HDPE TAMPER EVIDENT FINISH 2 FULL TURNS OF CUSTOM THREAD, 8 TPI REF. HOFFER PLASTICS DWG # 1787 REV. C

LET	REVISION DESCRIPTION	BY	ECN #	DATE
A	HOFFER PLASTICS 38MM DROP-LOK FINISH WAS L38SP400; 3927mL OFC WAS 3860mL; 6.002 BOTTLE DIAMETER WAS 5.963; 5.942 REF. WAS Ø 5.903; Ø 1.615 "N" WAS Ø 1.558; 12.203 OVERALL BOTTLE HEIGHT WAS 11.946; REMOVED PPT LOGO FROM BASE & ADDED BERRY PLASTICS LOGO.	D.SILLETT		11/19/08
B	ADDED .187 TO OVERALL HEIGHT PER CUSTOMER REQUEST. 12.390 OVERALL BOTTLE HEIGHT WAS 12.203; 3932CC OFC WAS 3927mL.	D.SILLETT		11/24/08
C	ADDED 1.110 MIN. "I" Ø PER CUSTOMER REQUEST.	D.SILLETT		12/11/08
D	12.350 WAS 12.390; ADDED MIN. WALL NOTES.	R.LIKA		1/20/2010
E	4012cc OFC WAS 3932; Ø 6.072 WAS Ø 6.002; Ø 6.012 WAS Ø 5.942	D.SILLETT	RCT100352	8/30/2010
F	YB38HD1AH WAS B38RD1HB	KRM	RCT150540	1/20/2016
G	GRAM WEIGHT WAS 130g; OFC WAS 4012cc	FAB	50332177	3/16/2016
H	UPDATED TITLE BLOCK, CIRCLED INSPECTION DIMENSIONS, 1.137 WAS 1.110 MIN, MOVED THREAD DETAILS INTO NOTES, MOVED NECK FINISH OVALITY DIMENSION TO PART DATA TABLE	ZMB	RCT160291	4/5/2018

PART DATA	
MATERIAL	HDPE
ESTIMATED WEIGHT	(150 GMS. ±6 GMS.)
OVERFLOW CAPACITY	(3988 CC ±44 CC)
NECK FINISH	38MM DROP-LOK
NECK FINISH OVALITY (REF NOTE #2)	(.036 MAX)
BODY WALL THICKNESS	(.022 MIN)
HELL RADIUS THICKNESS	(.020 MIN)

101 OAKLEY STREET
 EVANSVILLE,
 INDIANA 47706
 TEL. (812) 424-2904
 Last Modified: 4/26/2018 8:59:31 AM

YB38HD1AH
 DESCRIPTION: 1 GALLON CUSTOM HANDLEWARE
 DRAWING NO: CP-100036-PR01
 PROJECT NUMBER: 100036
 DRAWING REVISION: H
 SHEET: 1 of 1
 SCALE: 1:1
 SHEET SIZE: D

TOOL #: C169-1
WORKS WITH: C168-1

CONFIDENTIAL
 THIS UNPUBLISHED WORK IS THE PROPERTY OF BERRY GLOBAL, INC. AND IS PROTECTED BY TRADE SECRET, COPYRIGHT AND OTHER INTELLECTUAL PROPERTY LAWS AND MAY ALSO BE SUBJECT TO A SPECIFIC OR GENERAL CONFIDENTIALITY AGREEMENT. IT IS NOT TO BE VIEWED BY UNAUTHORIZED PERSONS OR DUPLICATED IN ANY MEDIUM FOR PURPOSES OTHER THAN THOSE FOR WHICH IT IS SPECIFICALLY FURNISHED.