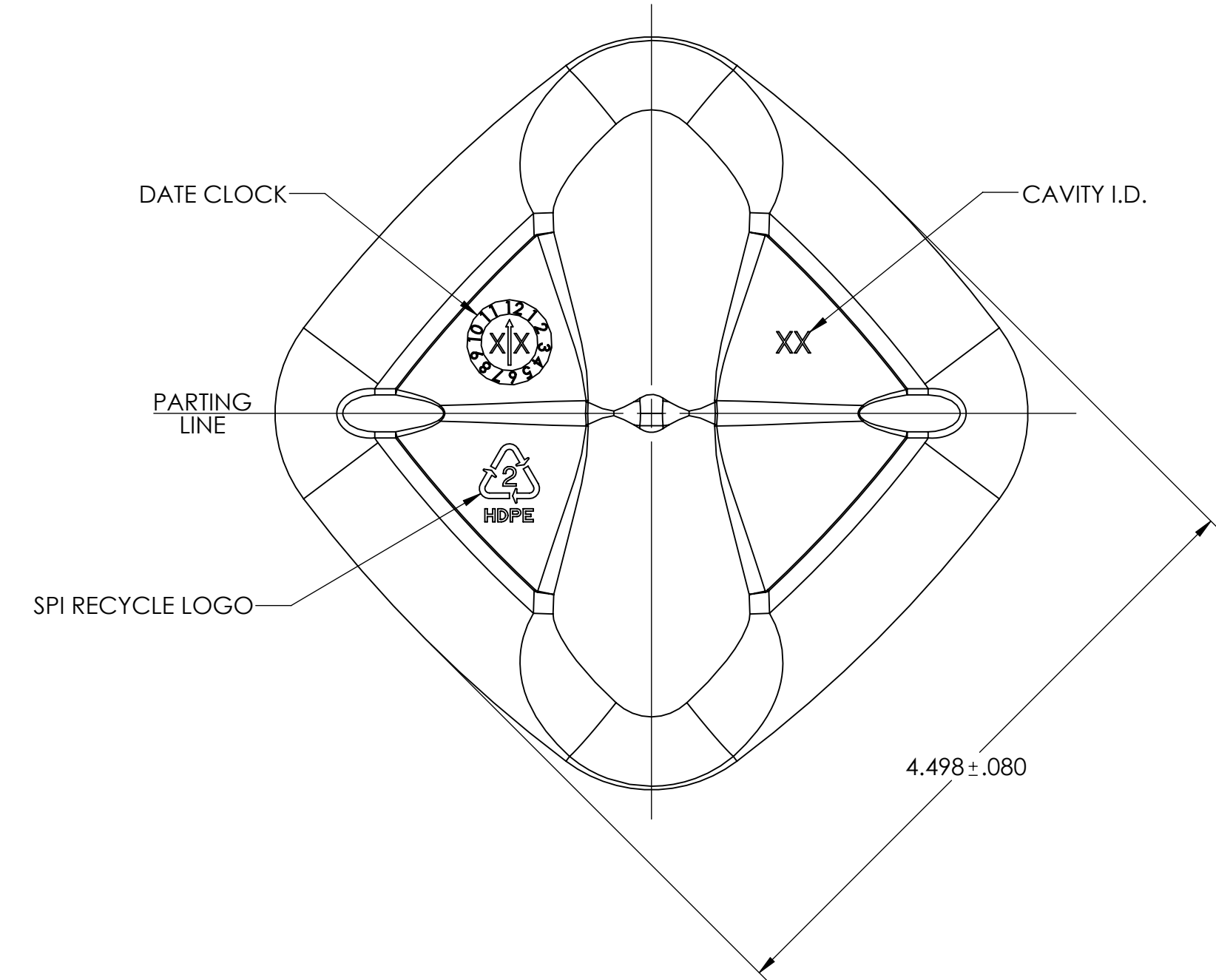
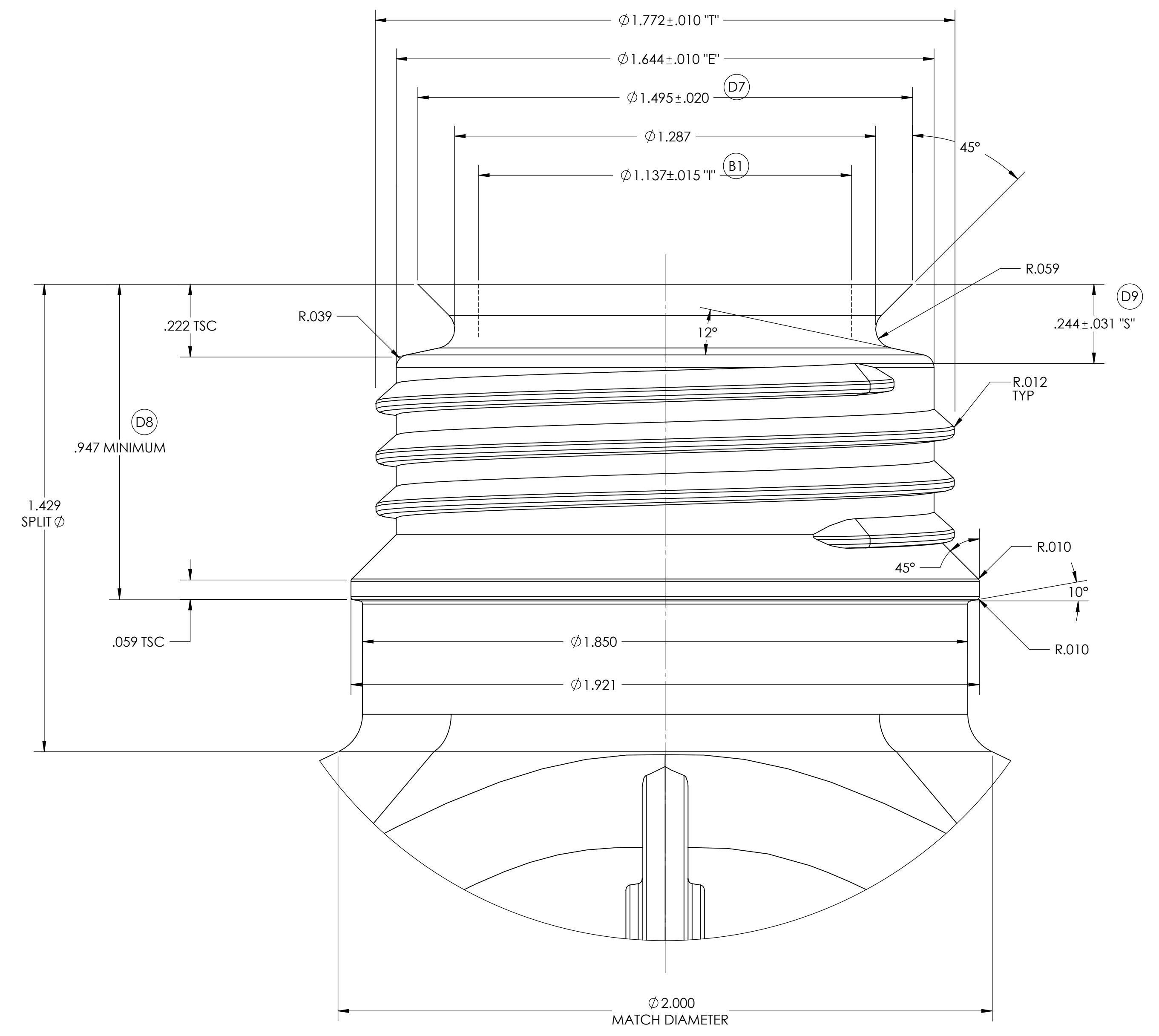
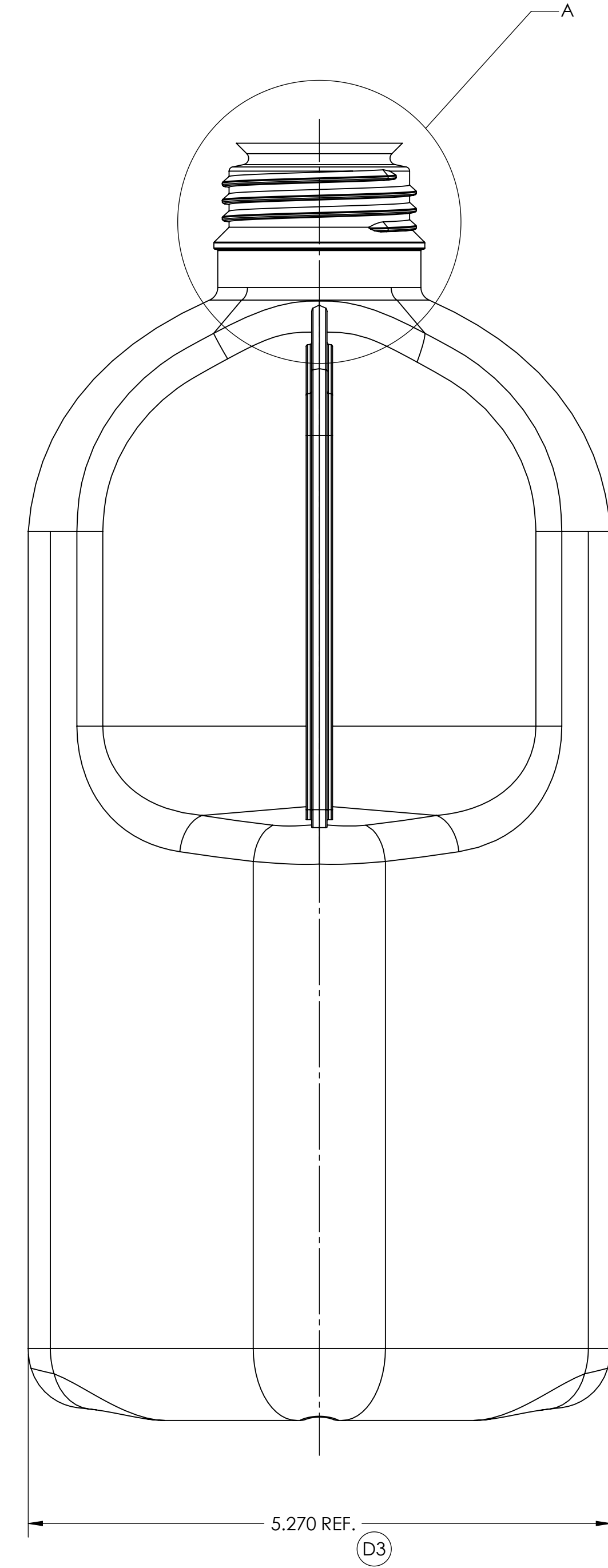
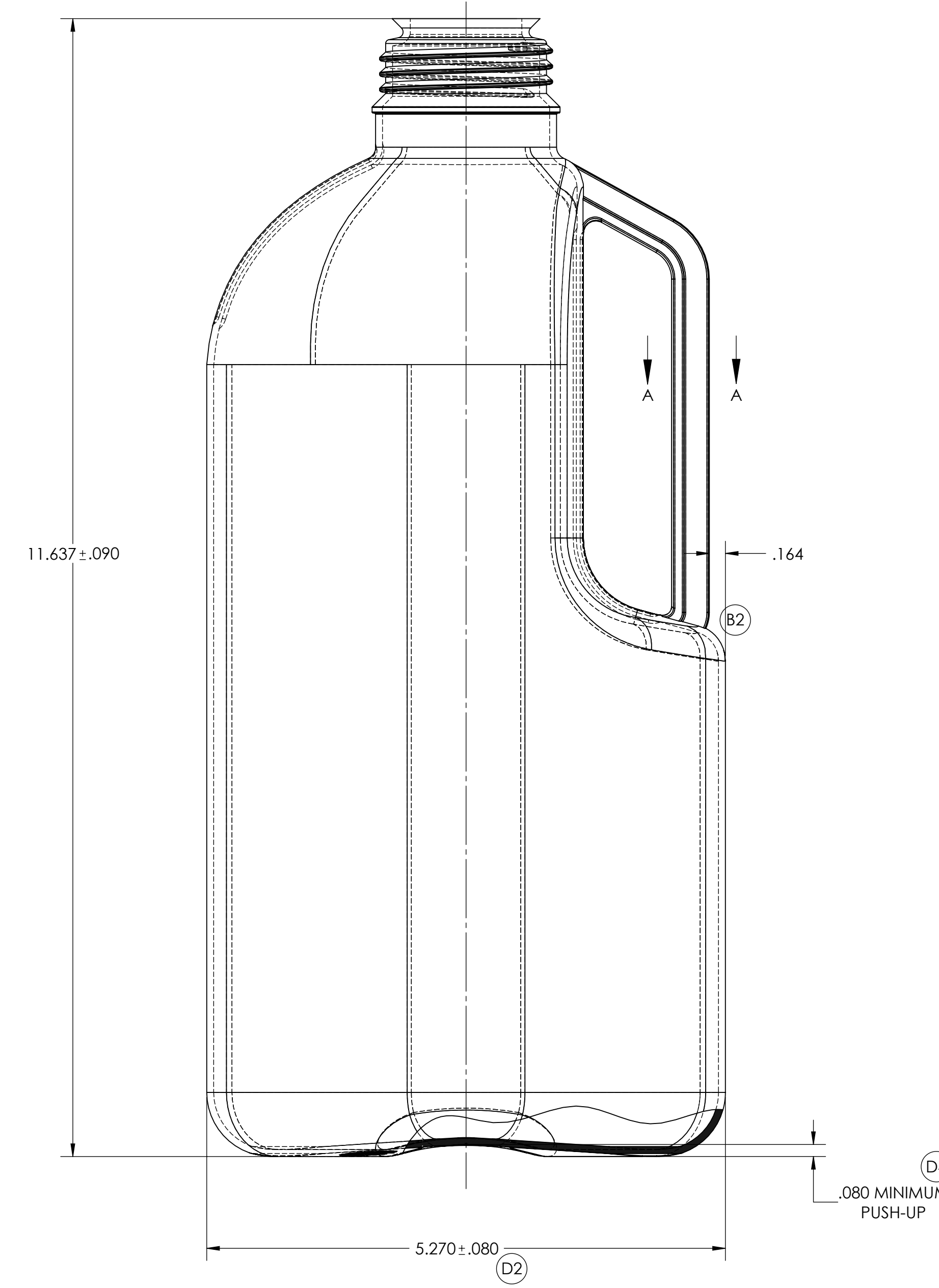
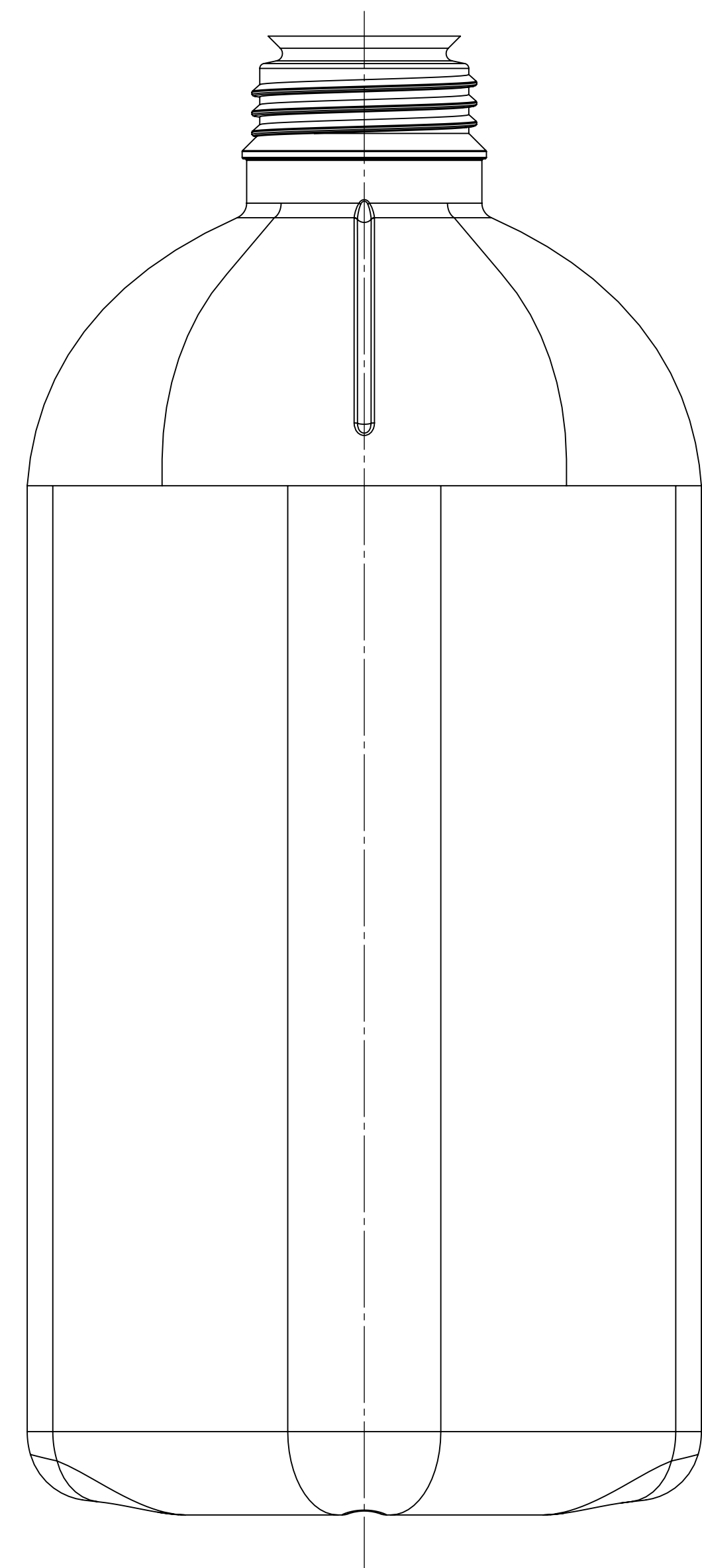
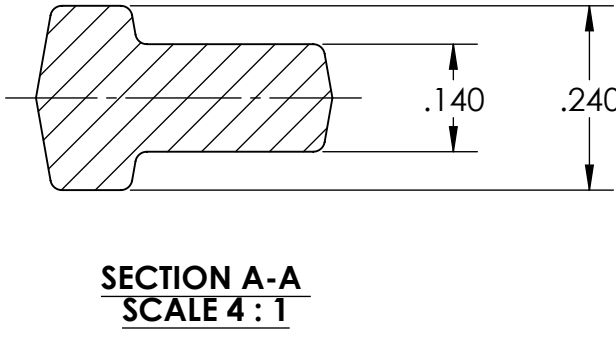
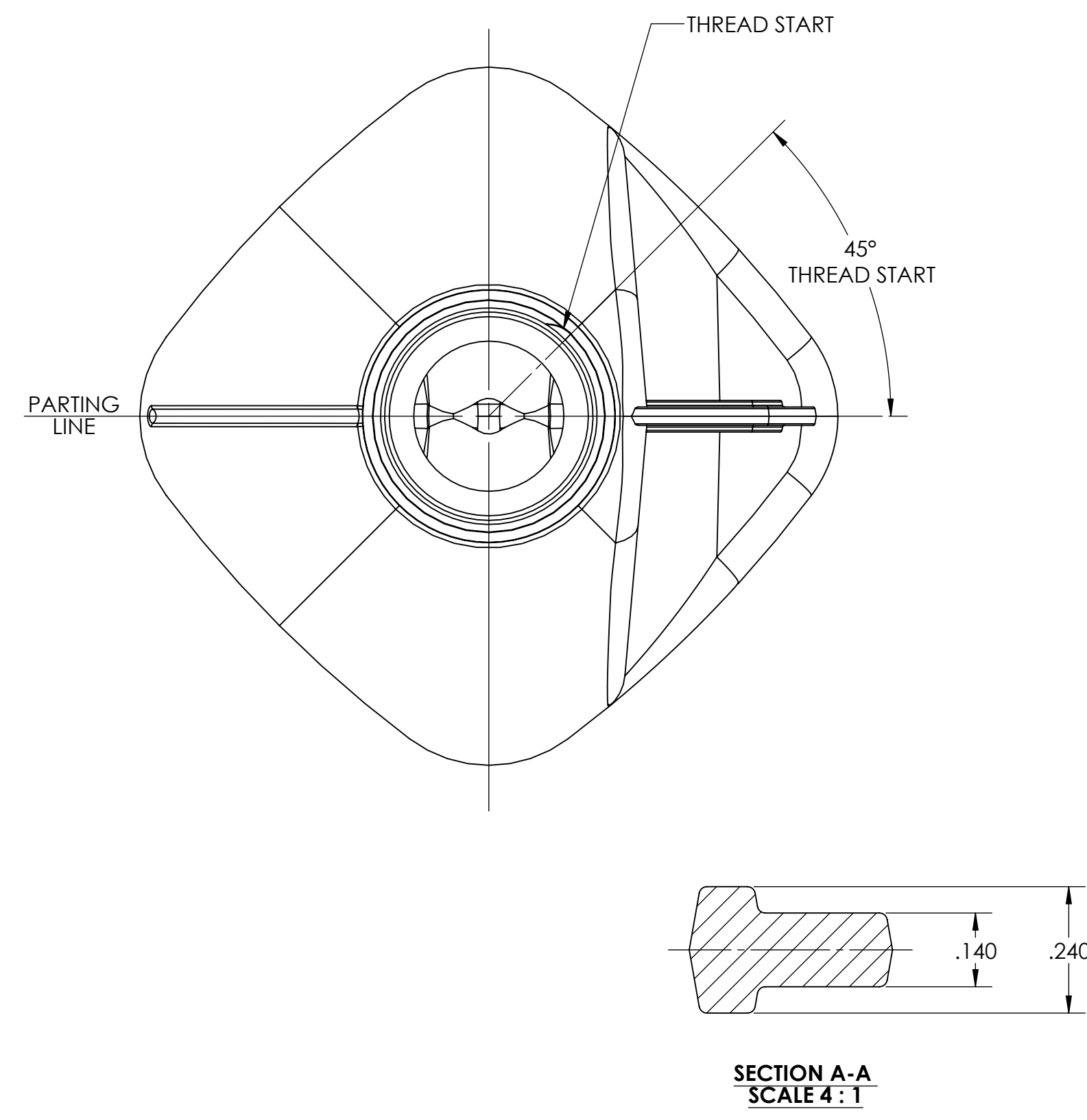


LET	REVISION DESCRIPTION	BY	ECN #	DATE
A	ORIGINAL RELEASE	D.A.	05586340	04/11/2012
B	1)WAS Ø1.043 MIN. 2)ADDED RADIUS	D.A.	05586340-Rev1	05/11/2012
C	1)ADDED BASE ENGRAVING + DATE CLOCK	D.A.	05586340-Rev2	06/13/2012
D	1)ADDED S&S + MOLD NUMBER 2)WAS 5.302 3)WAS 5.302 4)ADDED PUSH-UP DIM 5)ADDED SLANT SPEC 6)OFC WAS 2476ml 7)WAS 1.512±.016 8)WAS .963±.016 9)1" WAS .244 (NO TOLERANCE)	D.A.	08400740	03/10/2020

- NOTES:
1. INTERPRET DRAWING TO ASME Y14.5M - 1994
  2. DO NOT SCALE DRAWING
  3. ALL NECK FINISH DIAMETER DIMENSIONS ARE THE AVERAGE OF TWO MEASUREMENTS TAKEN ACROSS THE MAJOR AND MINOR AXIS. THE LIMITS OF OVALITY ARE (.036).
  4. THREAD SPEC = SINGLE LEAD, 4 MM (.1575") PITCH, 3 REVOLUTIONS.
  5. MIN. WALL THICKNESS IN PANEL = .038
  6. MIN HEEL = .032
  7. MIN. TAIL SCAR = .075
  8. TOP FLATNESS ON SEALING SURFACE MAX. = .015



**NOTE:**  
 THE 2D & 3D GEOMETRY ASSOCIATED WITH THIS DRAWING ARE ONLY A REPRESENTATION OF THE CUSTOMER'S DRAWING AND MOLDS - WHICH HAVE BEEN DIGITIZED TO MAKE NEW MOLDS.  
 IN NO WAY SHOULD THE 3D FILE ASSOCIATED WITH THIS DRAWING EVER BE SENT TO A MOLD VENDOR TO CUT STEEL, AS IT MAY DIFFER FROM THE ACTUAL EXISTING MOLD GEOMETRY.

MOLD #8931

REFERENCE: #D06-046-RevB

PART DATA	
MATERIAL	PPG RESIN - NATURAL
ESTIMATED WEIGHT	208.0gr ±8.0gr
OVERFLOW CAPACITY	2455.0ml ±30.0ml
NECK FINISH	45mm Special Neck
MAXIMUM SLANT (w Ø .90", 180", 210")	.030"

TOLERANCE UNLESS SPECIFIED		THIS DRAWING IS NOT A CONTROLLED DOCUMENT IF PRINTED OR COPIED FROM THE APPROVED LOCATION	
xxx ±.031	xx ±.063	<b>CONFIDENTIAL</b>	
x ±.094	Fractional ±.188	ARE REFERENCE DIMENSIONS	
Angles ±.12°		ARE INSPECTION DIMENSIONS	
		(XXX)	
		(XXX)	
TOLERANCE UNLESS SPECIFIED xxx ±.031 xx ±.063 x ±.094 Fractional ±.188 Angles ±.12°		THIS UNPUBLISHED WORK IS THE PROPERTY OF BERRY PLASTICS CORPORATION AND IS PROTECTED BY TRADE SECRET COPYRIGHT AND PATENT RIGHTS. IT IS TO BE USED ONLY FOR THE SPECIFIC PROJECT AND GENERAL INFORMATION. IT IS NOT TO BE REPRODUCED OR COPIED IN ANY MANNER WITHOUT THE WRITTEN PERMISSION OF BERRY PLASTICS CORPORATION. DRAWING NO: <b>ZB45SQ2BH</b> PROJECT NO: CP-120325-PR101 DATE: 11/12/2004 DRAWN BY: Don Ankrney CHECKED BY: M	
LEADERSHIP BY DESIGN 101 OAKLEY STREET EVANSVILLE INDIANA 47706 TEL (812) 424-2904		DRAWING TYPE: <b>CUSTOMER</b> PROJECT NUMBER: 120325 SHEET NUMBER: 1 of 1 SCALE: 1:1 SHEET SIZE: E	