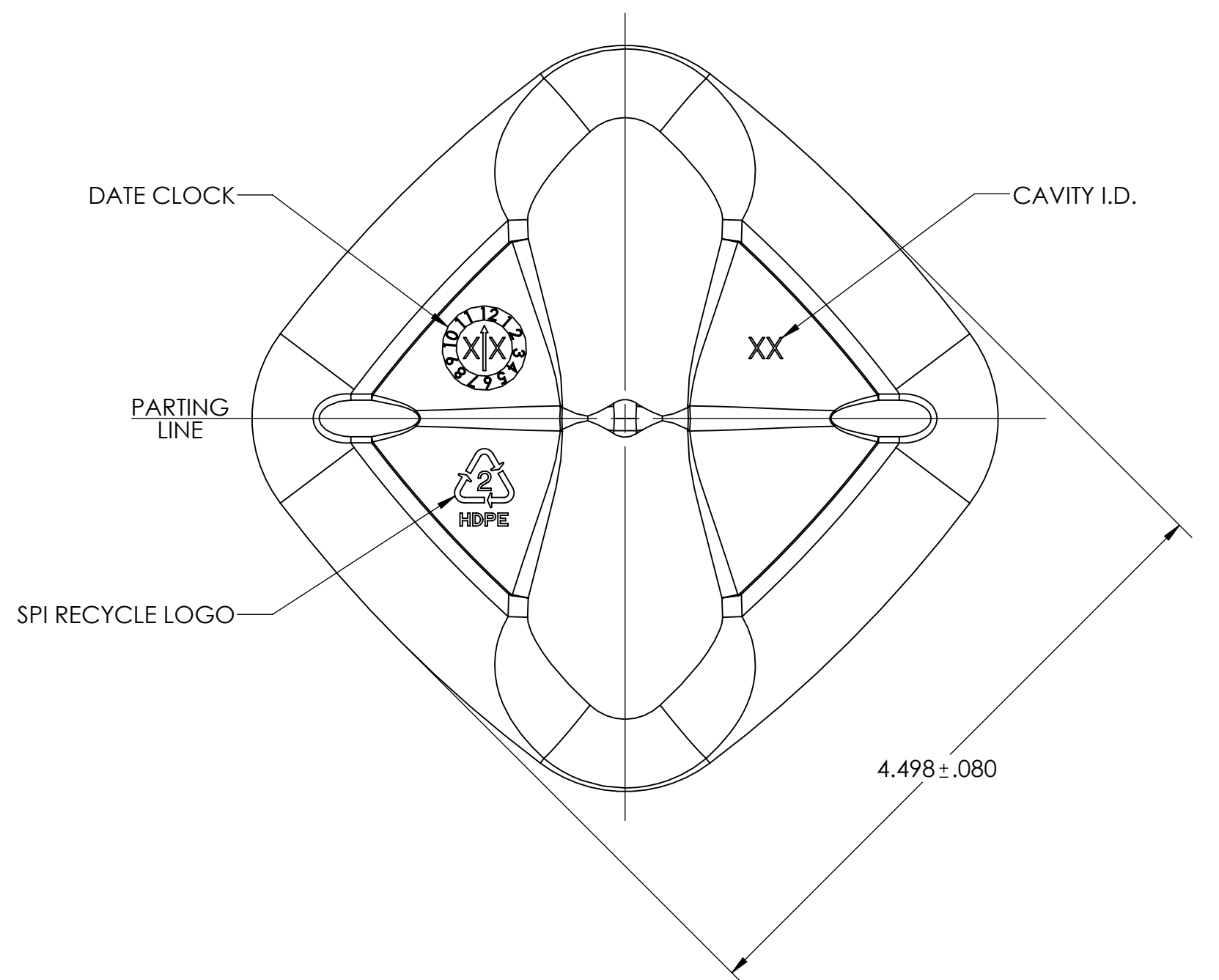
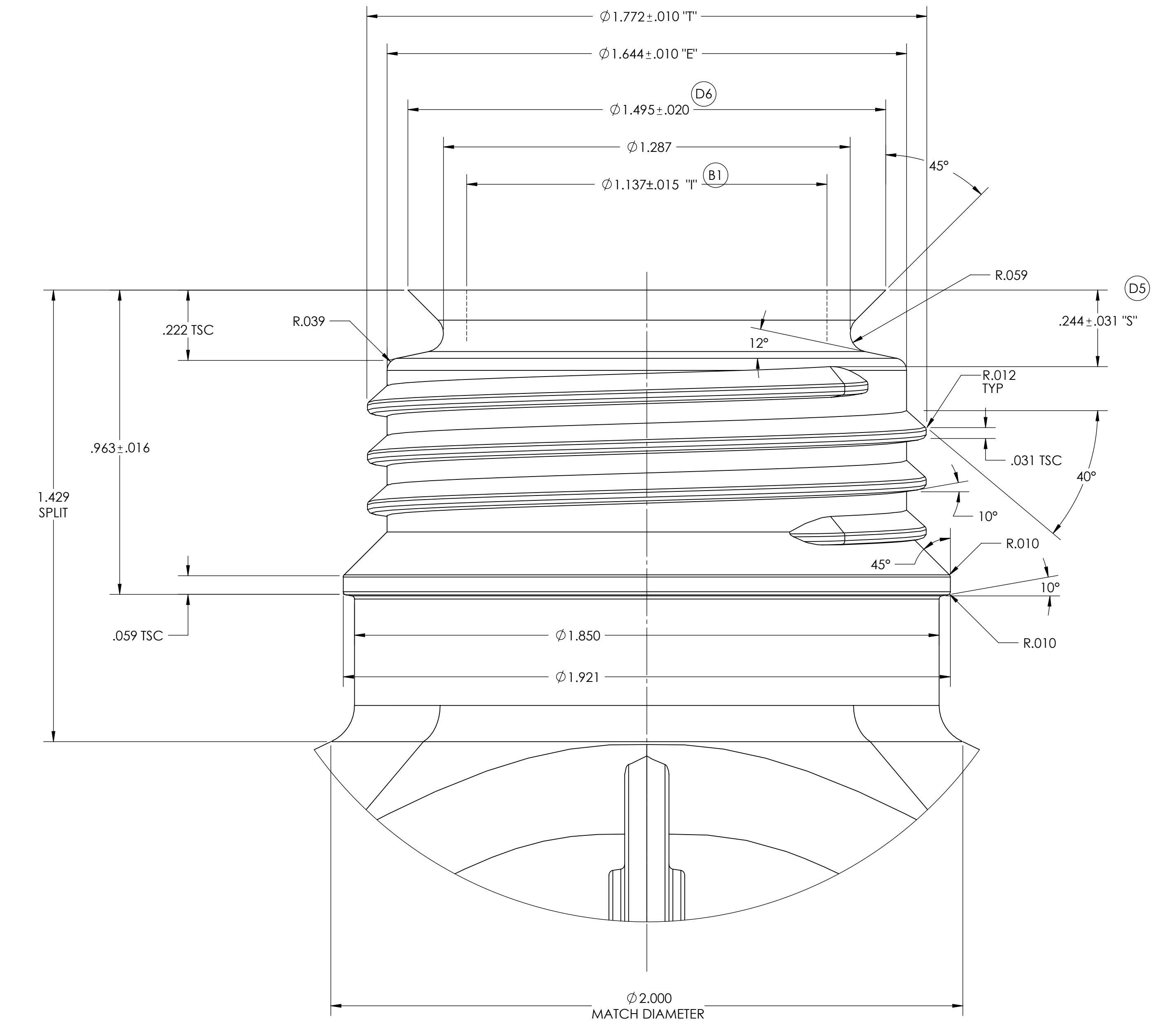
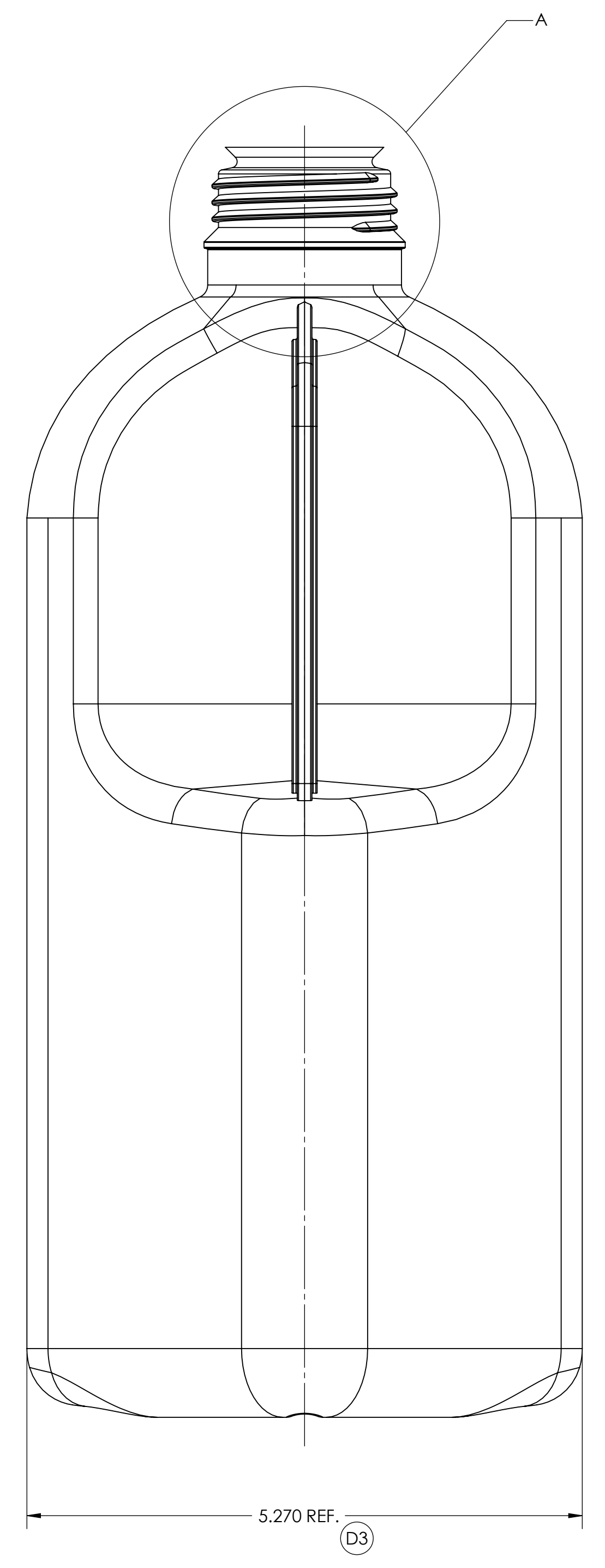
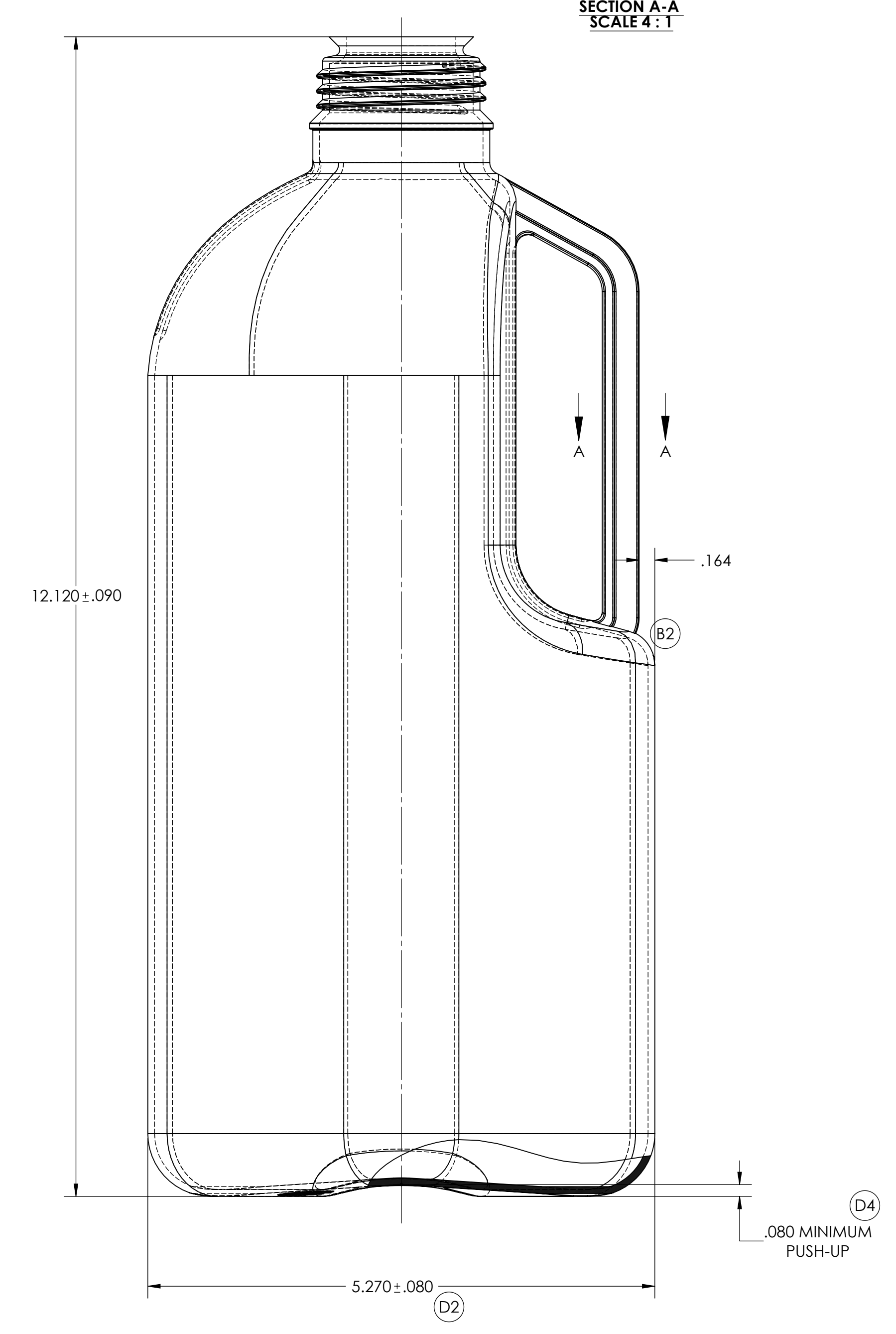
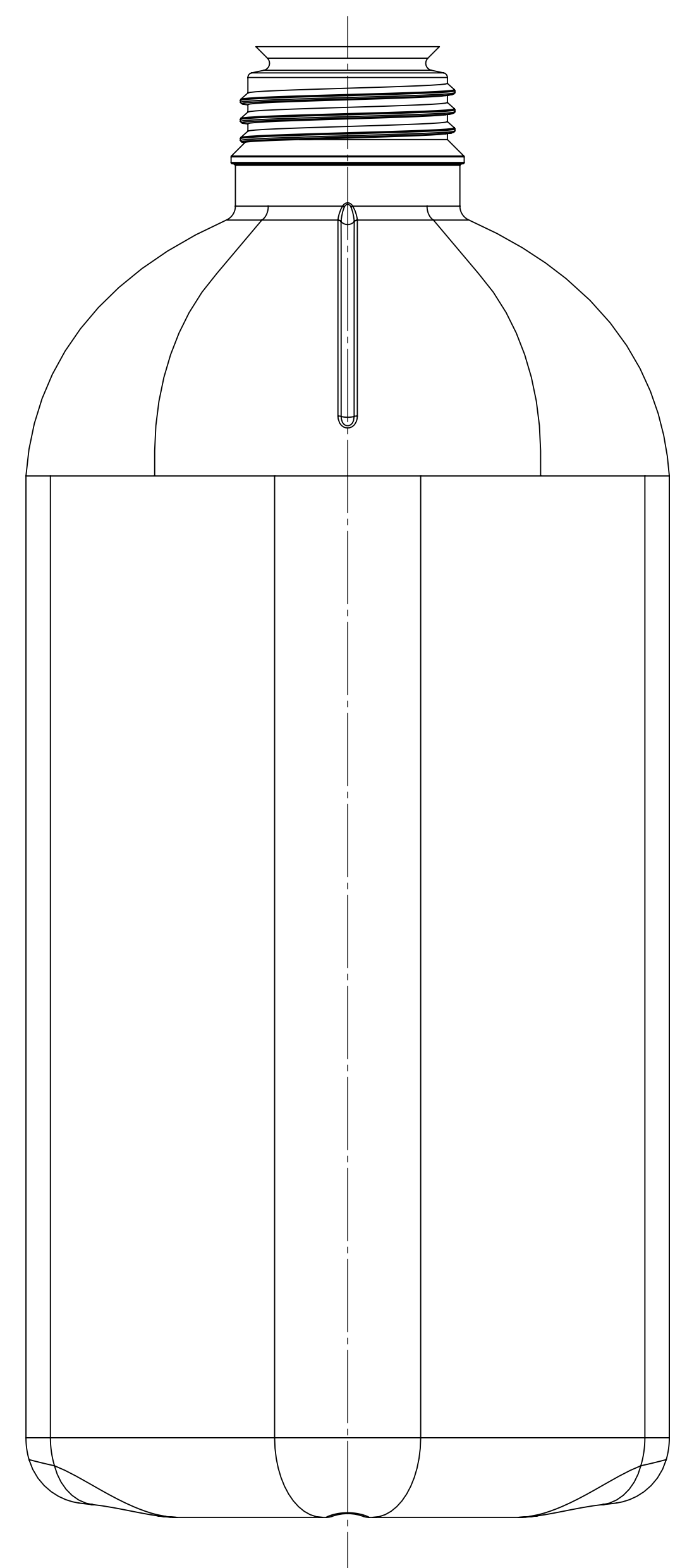
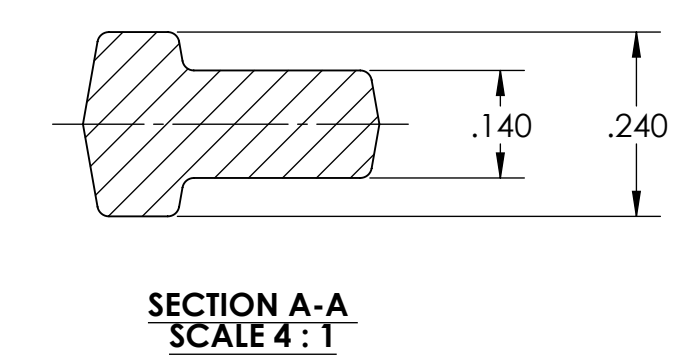
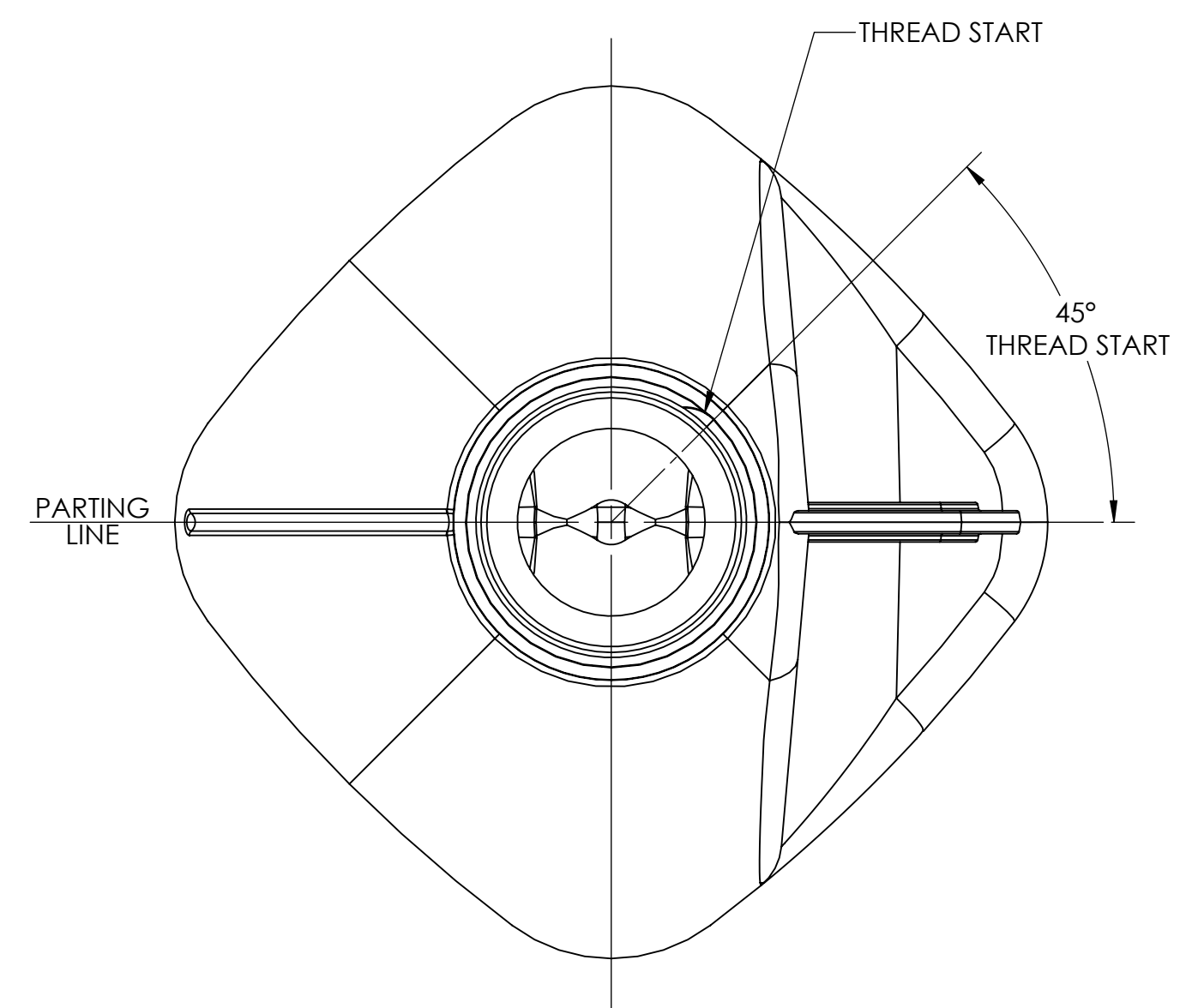


| LET | REVISION DESCRIPTION | BY | ECN # | DATE |
|-----|--------------------------------------------------------------------------------------------------------------------------------------------------------|------|---------------|------------|
| A | ORIGINAL RELEASE | D.A. | 05586340 | 04/11/2012 |
| B | 1)WAS Ø1.043 MIN. 2)ADDED RADIUS | D.A. | 05586340-Rev1 | 05/11/2012 |
| C | 1)ADDED BASE ENGRAVING + DATE CLOCK | D.A. | 05586340-Rev2 | 06/13/2012 |
| D | 1)ADDED S&S + MOLD NUMBER 2)WAS 5.302 3)WAS 5.302 4)ADDED PUSH-UP DIM 5)S WAS .944 (NO TOLERANCE) 6)WAS 1.512±.010 7)ADDED SLANT SPEC 8)OFC WAS 2614mm | D.A. | 08400740 | 03/10/2020 |

- NOTES:
 1. INTERPRET DRAWING TO ASME Y14.5M - 1994
 2. DO NOT SCALE DRAWING
 3. ALL NECK FINISH DIAMETER DIMENSIONS ARE THE AVERAGE OF TWO MEASUREMENTS TAKEN ACROSS THE MAJOR AND MINOR AXIS. THE LIMITS OF OVALITY ARE (.036).
 4. THREAD SPEC = SINGLE LEAD, 4 MM (.1575") PITCH, 3 REVOLUTIONS.
 5. MIN. WALL THICKNESS IN PANEL = .038
 6. MIN HEEL = .032
 7. MIN. TAIL SCAR = .075
 8. TOP FLATNESS ON SEALING SURFACE MAX. = .015



NOTE:
 THE 2D & 3D GEOMETRY ASSOCIATED WITH THIS DRAWING ARE ONLY A REPRESENTATION OF THE CUSTOMER'S DRAWING AND MOLDS - WHICH HAVE BEEN DIGITIZED TO MAKE NEW MOLDS.
 IN NO WAY SHOULD THE 3D FILE ASSOCIATED WITH THIS DRAWING EVER BE SENT TO A MOLD VENDOR TO CUT STEEL, AS IT MAY DIFFER FROM THE ACTUAL EXISTING MOLD GEOMETRY.

MOLD #8933

REFERENCE:
 #111069-PR101-RevA

| PART DATA | |
|-------------------------------------|---------------------|
| MATERIAL | PPG RESIN - NATURAL |
| ESTIMATED WEIGHT | 208.0gr ±8.0gr |
| OVERFLOW CAPACITY | 2600.0ml ±30.0ml |
| NECK FINISH | 45mm Special Neck |
| MAXIMUM SLANT (W/O 90°, 180°, 270°) | .030° |

| TOLERANCE UNLESS SPECIFIED | | THIS DRAWING IS NOT A CONTROLLED DOCUMENT IF PRINTED OR COPIED FROM THE APPROVED LOCATION | |
|----------------------------|--------------|-------------------------------------------------------------------------------------------|--|
| xxx ±.031 | xx ±.063 | CONFIDENTIAL | |
| x ±.094 | Angles ±.12° | DATE: 11/12/2004 | |
| DATE: 3/10/2020 6:12:21 PM | | DRAWING TYPE: CUSTOMER | |
| DRAWN BY: Don Ankrney | | PROJECT NUMBER: 120327 | |
| CHECKED BY: [Blank] | | SHEET NUMBER: 1 of 1 | |
| DATE: 11/12/2004 | | SCALE: 1:1 | |
| DRAWN BY: Don Ankrney | | SHEET SIZE: E | |