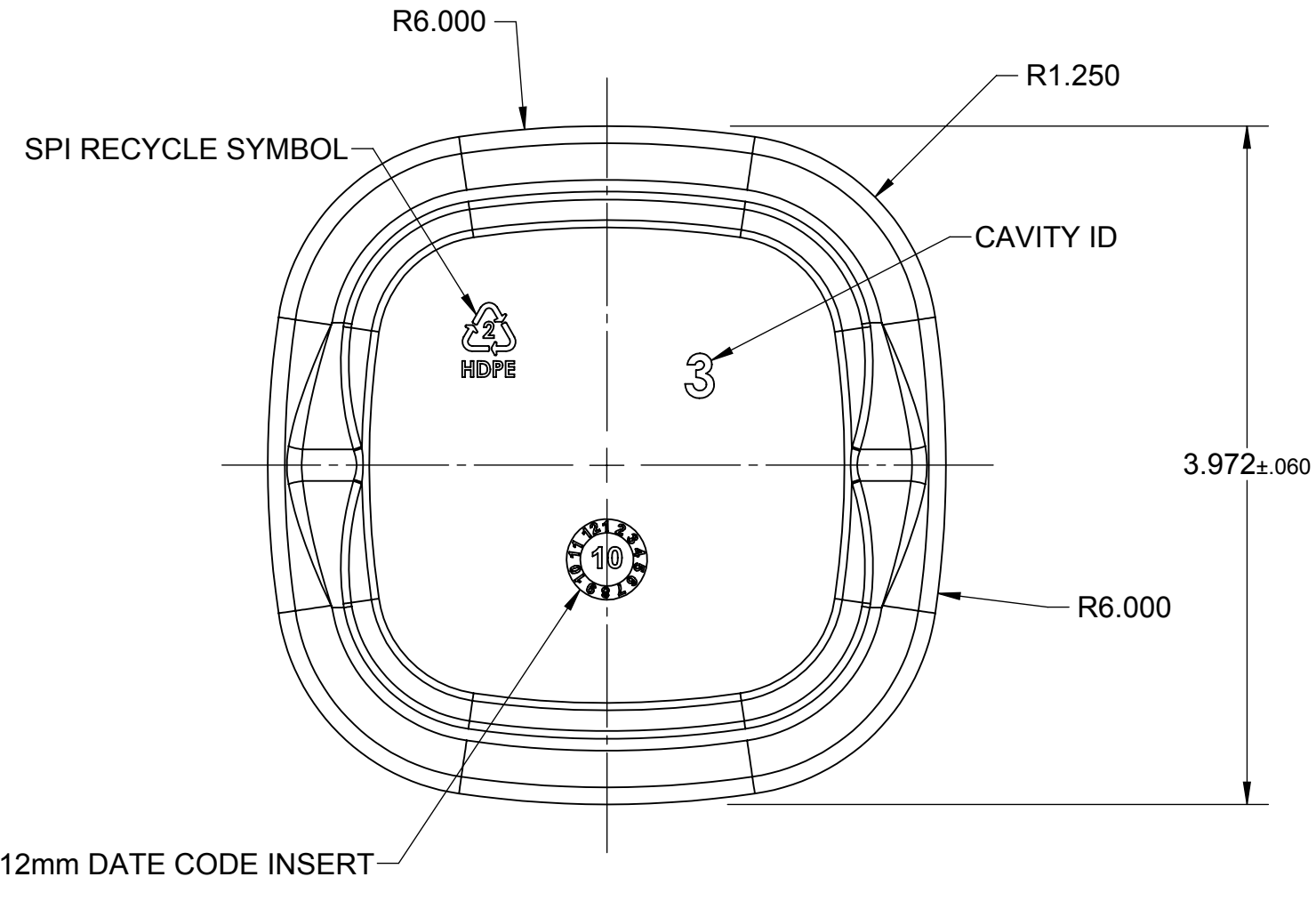
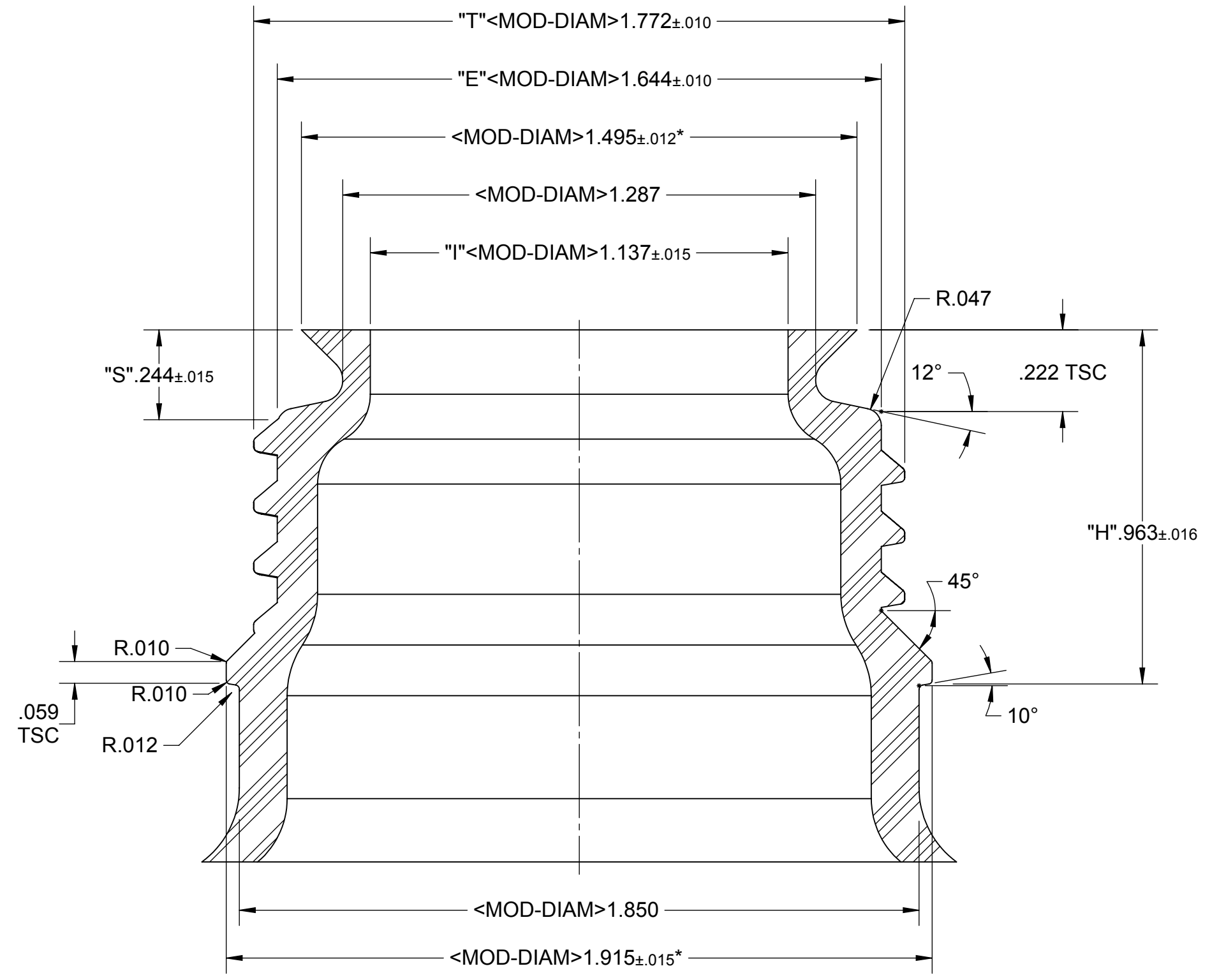
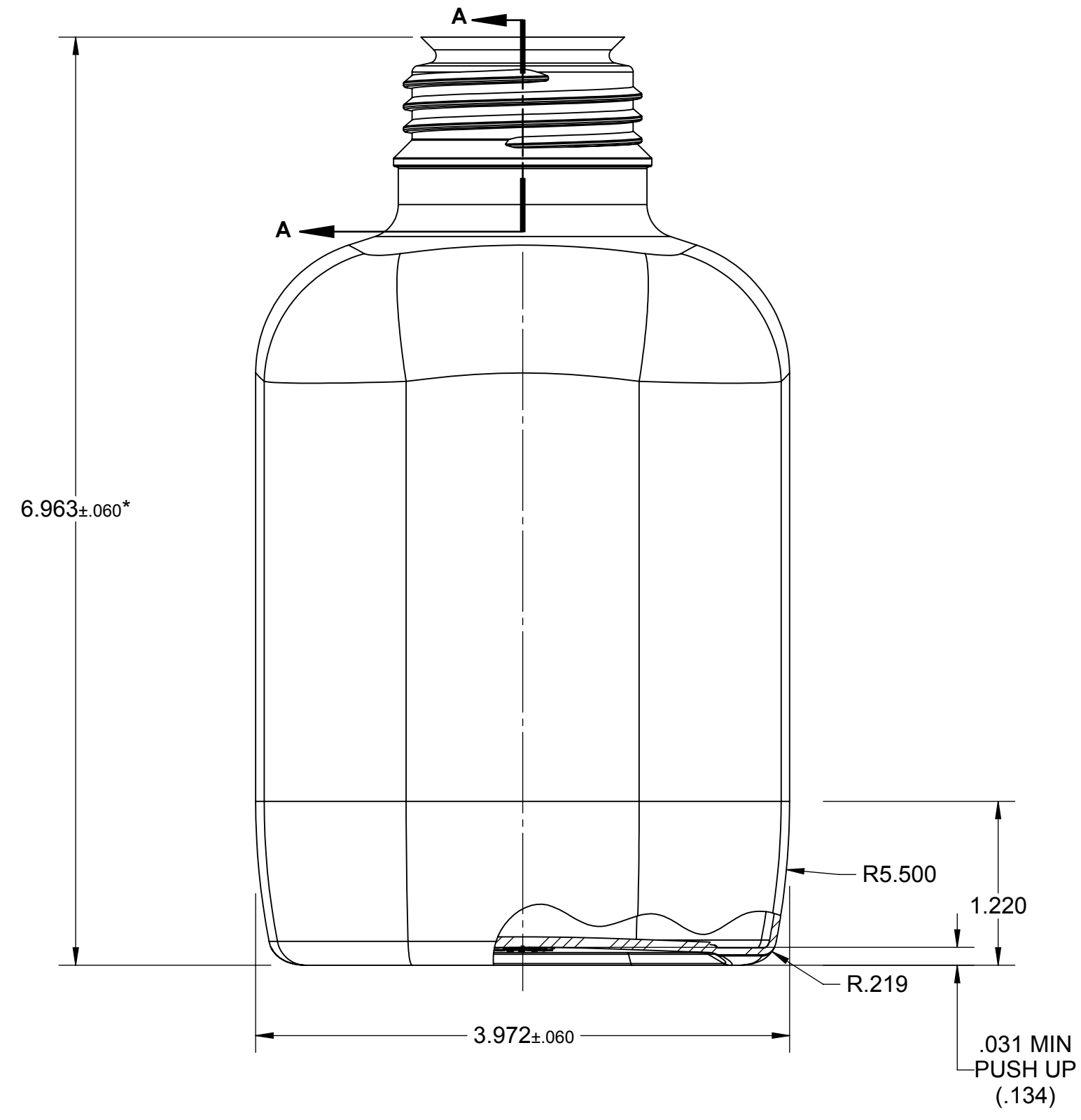


**PRODUCTION RELEASE**

LET	REVISION DESCRIPTION	BY	ECN #	DATE
A	DEVELOPMENT STAGE	FAB	50082749	3/31/2015
B	UPDATED "I" DIAMETER	FAB	50082749-1	4/7/2015
C	BEAD WAS Ø1.932±.015*	FAB	RCT 170128	3/21/2017



**SECTION A-A  
SCALE 3:1**

- NOTES:
1. INTERPRET DRAWING TO ASME Y14.5M - 1994
  2. DO NOT SCALE DRAWING
  3. ALL NECK FINISH DIAMETERS ARE THE AVERAGE OF THE TWO MEASUREMENTS TAKEN ACROSS THE MAJOR AND MINOR AXIS. LIMITS OF OVALITY ARE .024"
  4. THREAD SPEC = SINGLE LEAD, 6 TPI, 3 REVOLUTIONS
  5. DIMENSIONS MARKED (\*) ARE Q1 RESULTS.
  8. **MOLD # 9003**

PART DATA	
MATERIAL	<b>HDPE</b>
ESTIMATED WEIGHT	85g ±4.25g
OVERFLOW CAPACITY	1.116.7cc ±20cc*
NECK FINISH	45mm CUSTOM

TOLERANCE UNLESS SPECIFIED		(.XXX) REFERENCE DIMENSIONS		(.XXX) INSPECTION DIMENSIONS	
xxx +/- .031	xx +/- .063	THIS DRAWING IS NOT A CONTROLLED DOCUMENT IF PRINTED OR COPIED FROM THE APPROVED LOCATION			
x +/- .094	Fractional +/- 1/8"	<b>CONFIDENTIAL</b>			
Angles +/- 1/2	<b>BERRY PLASTICS</b>		<b>ZB45SQ1H</b>		<b>CUSTOMER</b>
101 OAKLEY STREET EVANSVILLE, INDIANA 47706 TEL. (812) 424-2904		DESCRIPTION: <b>1 LITER SQUARE</b>		DRAWING NO: CP-150234-PRT01 PROJECT NUMBER: 1400597	
		DRAWING NO: CP-150234-PRT01			
LAST MODIFIED BY AND DATE: bsharp - 10/31/2017 1:40:26 PM		CREATED BY: F. BOND	CREATION DATE: 03/31/15	DRAWING REVISION: C	SHEET: 1 of 1
		SCALE: 1:1	SHEET SIZE: C		