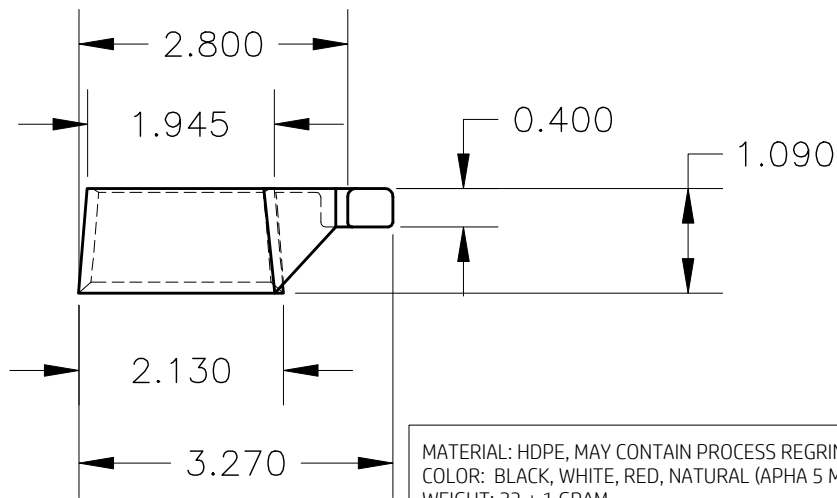


SECTION THRU CENTER



MATERIAL: HDPE, MAY CONTAIN PROCESS REGRIND.  
 COLOR: BLACK, WHITE, RED, NATURAL (APHA 5 MAX.)  
 WEIGHT: 23 ± 1 GRAM

**PurePak Technology Corporation**

75 W. BASELINE ROAD, SUITE D44, GILBERT, AZ 85233

ALL DIMENSIONS IN INCHES  
 UNLESS OTHERWISE SPECIFIED:  
 DECIMALS: X.XX ±.010 ANGLES: X.X ±.500°  
 X.XXX ±.005  
 X.XXXX ±.002

DESCRIPTION:  
 T - HANDLE  
 for BETA BOTTLE

REV A	8/8/21	CHANGED TITLE BLOCK AND LAYOUT	M. DODD
REV B	4/13/21	ADDED MATERIAL DESCRIPTION	M. DODD

THIS DRAWING AND THE INFORMATION CONTAINED  
 THERE IN IS THE SOLE PROPERTY OF PUREPAK TECH.  
 ANY REPRODUCTION IN PART OR WHOLE WITHOUT THE  
 WRITTEN PERMISSION OF PUREPAK TECH. IS PROHIBITED.

APPRD.	SHEET 1 OF 1
SCALE: 1:2	DRAWN BY: MSR DATE: 8/8/07