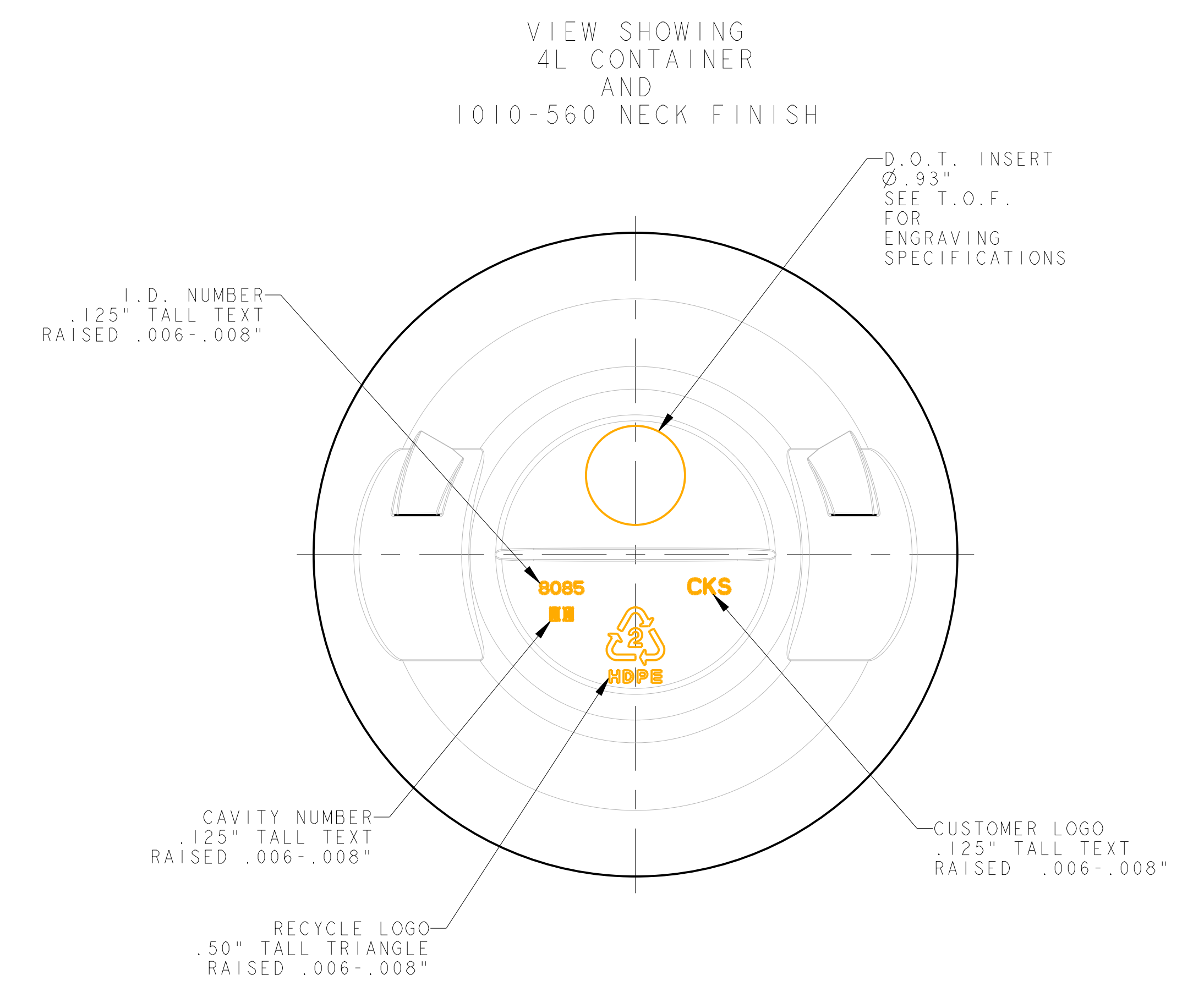
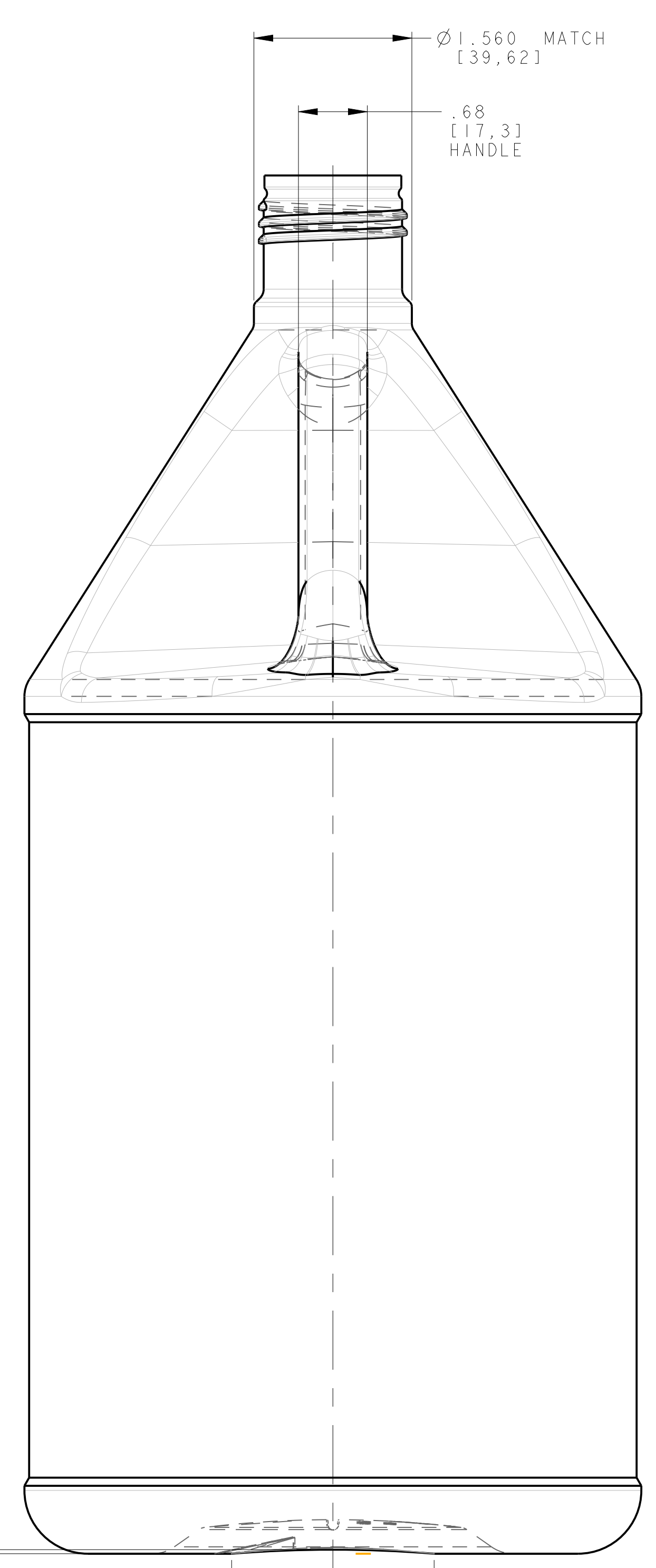
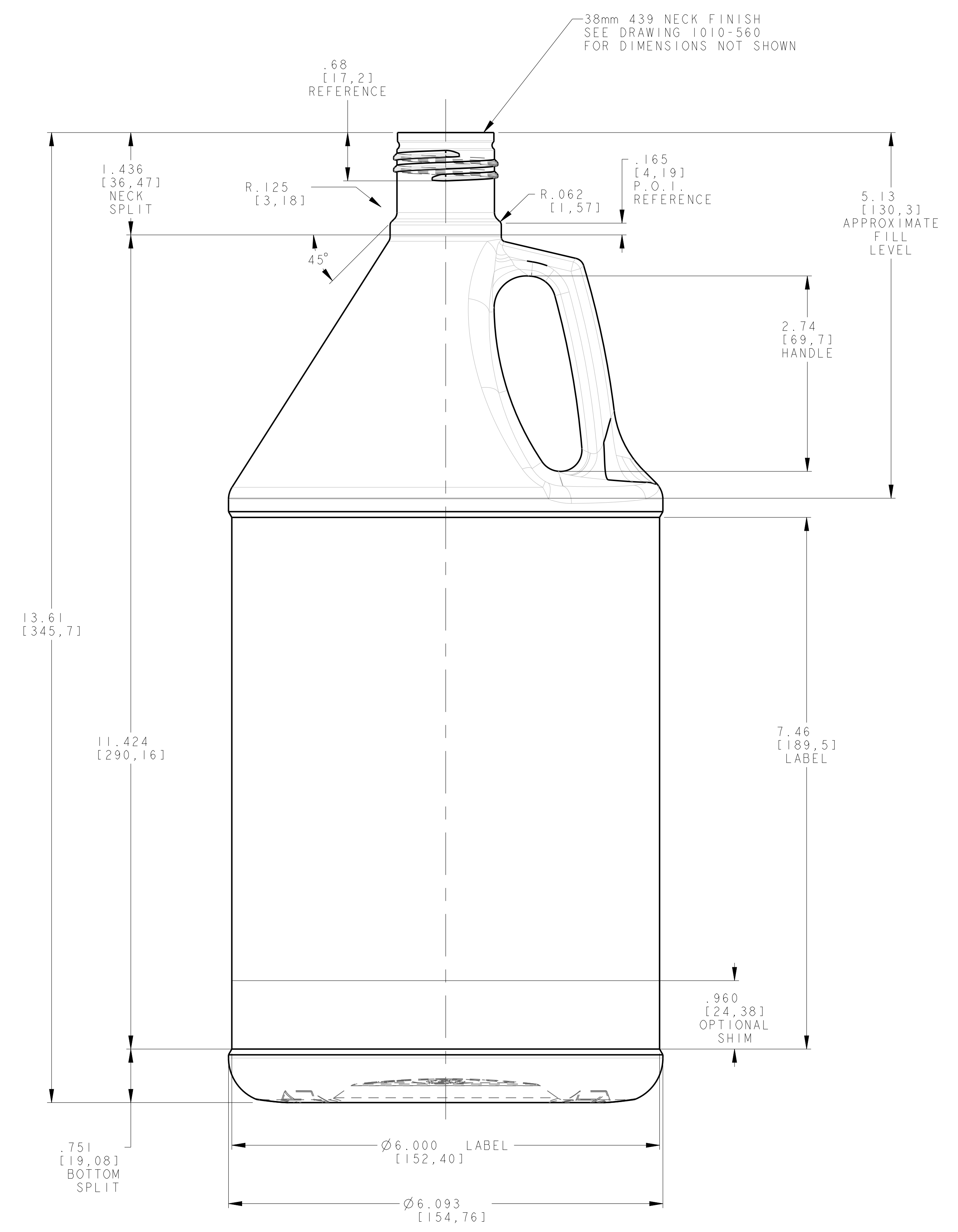
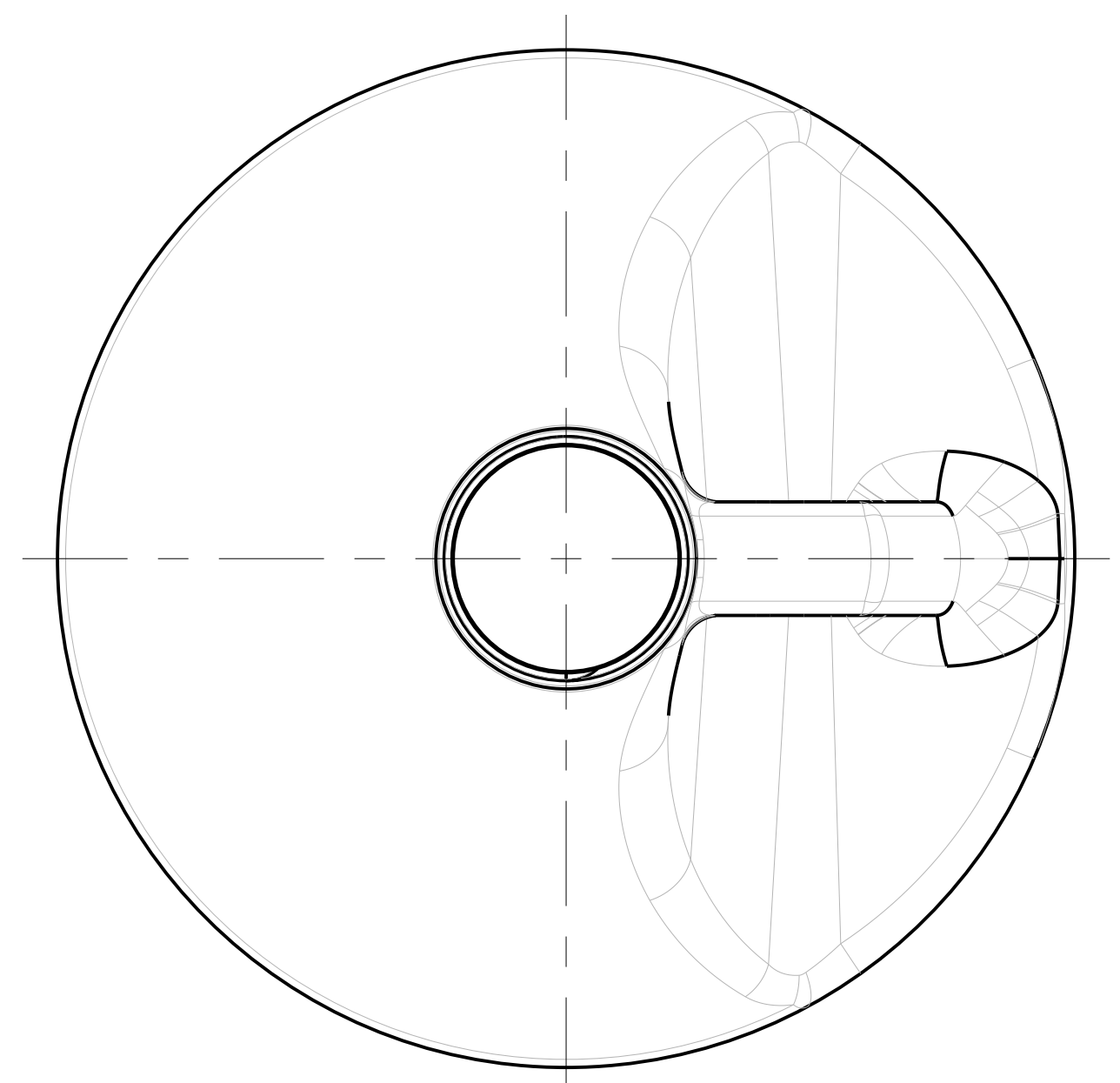


REV	DESCRIPTION	BY	DATE



VIEW SHOWING
4L CONTAINER
AND
1010-560 NECK FINISH

- NOTES:
- CONTAINER WEIGHT -- 160g ± 5g
 - MATERIAL -- HDPE
 - OVERFLOW CAPACITY -- 149.1 FL.OZ. 4409.0 ML
 - FILL CAPACITY -- 135.3 FL.OZ. 4000 ML
 - TOLERANCES UNLESS OTHERWISE SPECIFIED:
 VERTICAL ± 0.090"
 HORIZONTAL ± 0.090"
 VOLUMETRIC ± 1.5 FL.OZ. 44.0 ML
 - BOTTLES TO BE CHECKED AGED WITH 20°C WATER
 - ESTIMATED BULGE -- 0.0 FL.OZ.

ITEM	QTY	DESCRIPTION	PART NUMBER

UNLESS OTHERWISE SPECIFIED

ALL SHARP CORNERS TO BE BROKEN
ALL BURRS TO BE REMOVED
STAMP ALL PARTS WITH DRAWING No. IN LOCATION MARKED BY THE MARK CIRCLED

SCALE: 1:1 WEIGHT: 0.286 LBS
DRAWN: JANCZEK DATE: 20SEPT2021 DESCRIPTION: PRODUCT DRAWING
CHECKED BY: GABALA DATE: 20SEPT2021 MATERIAL: HDPE
REF. DIM: SCANNED MOLD

LIMIT ON DIMENSIONS - IN (mm)

FULL	± .000 IN	± 2.5mm
1 PLACE	± .020 IN	± .5mm
2 PLACE	± .020 IN	± .125mm
3 PLACE	± .005 IN	---

ANGLES ± .5° R_a = 3.2 μm
FABRICATION ± .06 IN ± 1.5mm

SURFACE FINISH: 3RD ANGLE PROJECTION

LEGACY NUMBER: 40010UMXX01
REV: 4/5
80923-2

2 DO NOT SCALE THIS DRAWING INCHES 14 13 12 11 10