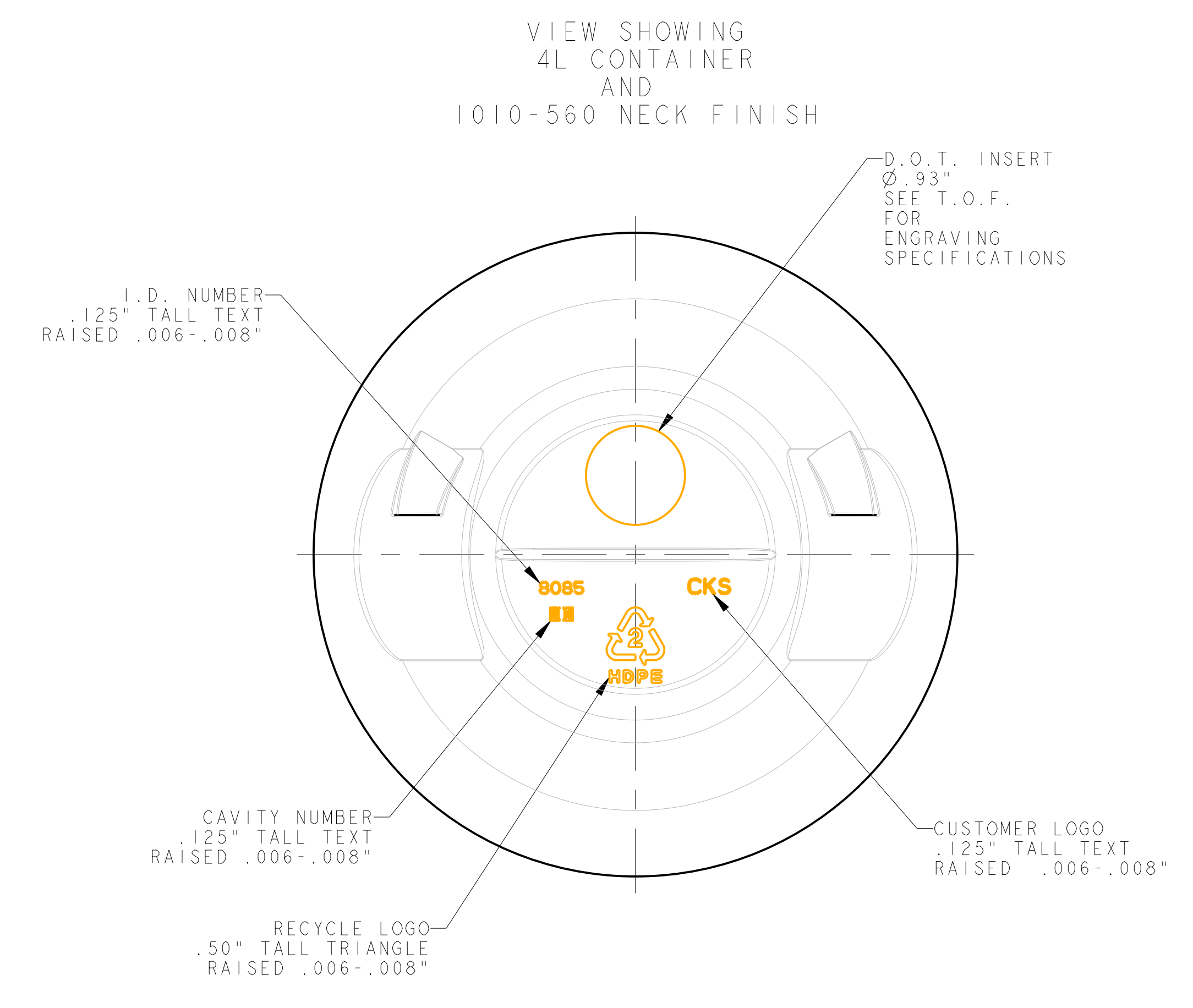
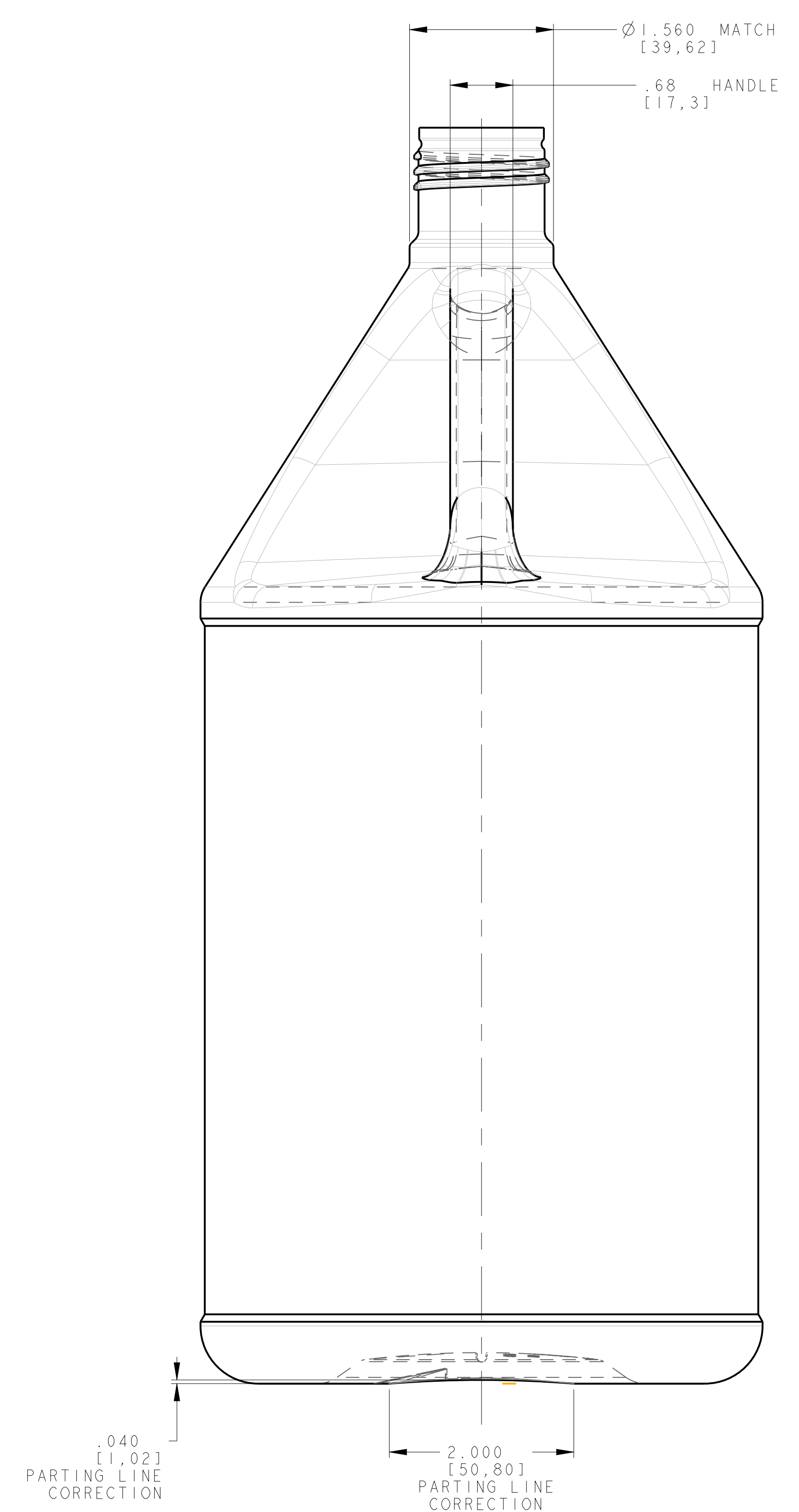
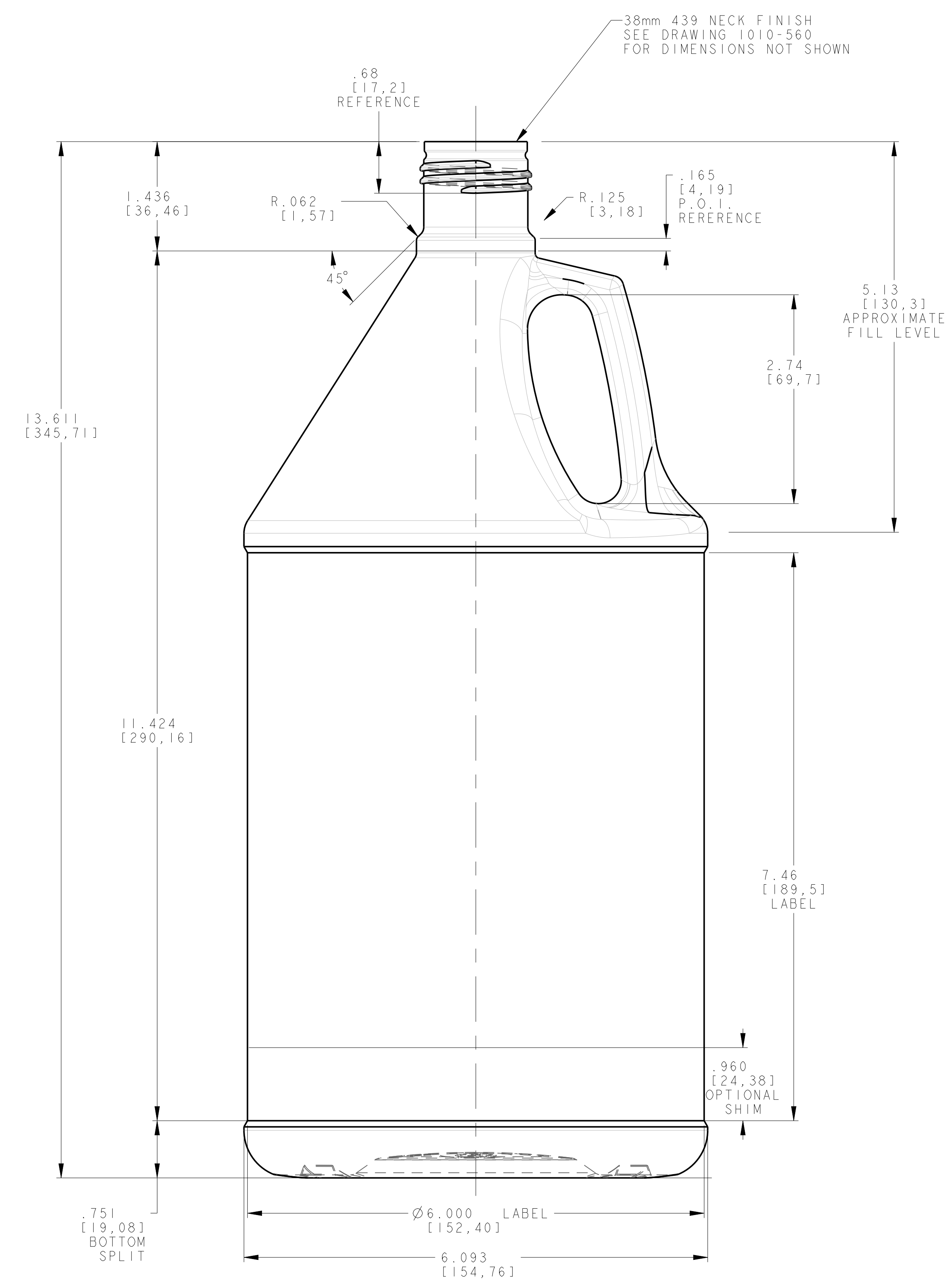
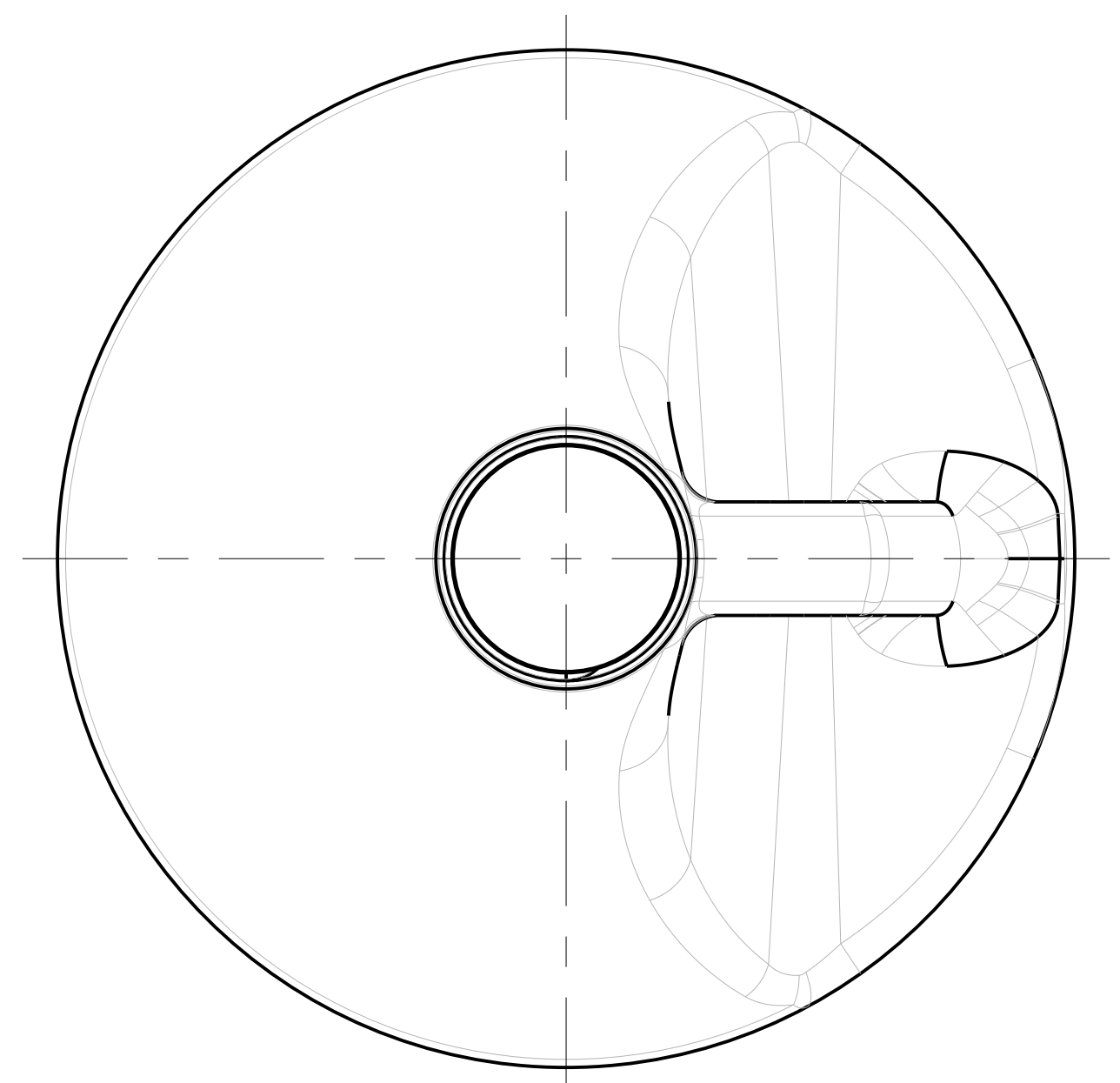


REV	DESCRIPTION	BY	DATE



VIEW SHOWING  
4L CONTAINER  
AND  
1010-560 NECK FINISH

- NOTES:
- CONTAINER WEIGHT -- 190g ± 5g
  - MATERIAL -- HDPE
  - OVERFLOW CAPACITY -- 148.1 FL.OZ. 4379ML
  - FILL CAPACITY -- 135.3 FL.OZ. 4000 ML
  - TOLERANCES UNLESS OTHERWISE SPECIFIED:  
VERTICAL ± 0.090"  
HORIZONTAL ± 0.090"  
VOLUMETRIC ± 1.5 FL.OZ. 44.0 ML
  - BOTTLES TO BE CHECKED AGED WITH 20°C WATER
  - ESTIMATED BULGE -- 0.0 FL.OZ.

ITEM	QTY	DESCRIPTION	PART NUMBER

UNLESS OTHERWISE SPECIFIED

ALL SHARP CORNERS TO BE BROKEN  
ALL BURRS TO BE REMOVED  
STAMP ALL PARTS WITH DRAWING No. IN LOCATION MARKED BY THE MARK CROSS

SCALE: 1:1 WEIGHT LB: 0.286 DESCRIPTION: PRODUCT DRAWING

DRAWN: JANCZEK DATE: 20SEP2021 DESCRIPTION 2: 4L INDUSTRIAL

CHECKED BY: GABALA DATE: 20SEP2021 MATERIAL: HDPE

REF. DIM: SCANNED MOLD

LEGACY NUMBER: 40010UMXX01

REV: 5 PART NUMBER: 80923-2

3RD ANGLE PROJECTION

DO NOT SCALE THIS DRAWING